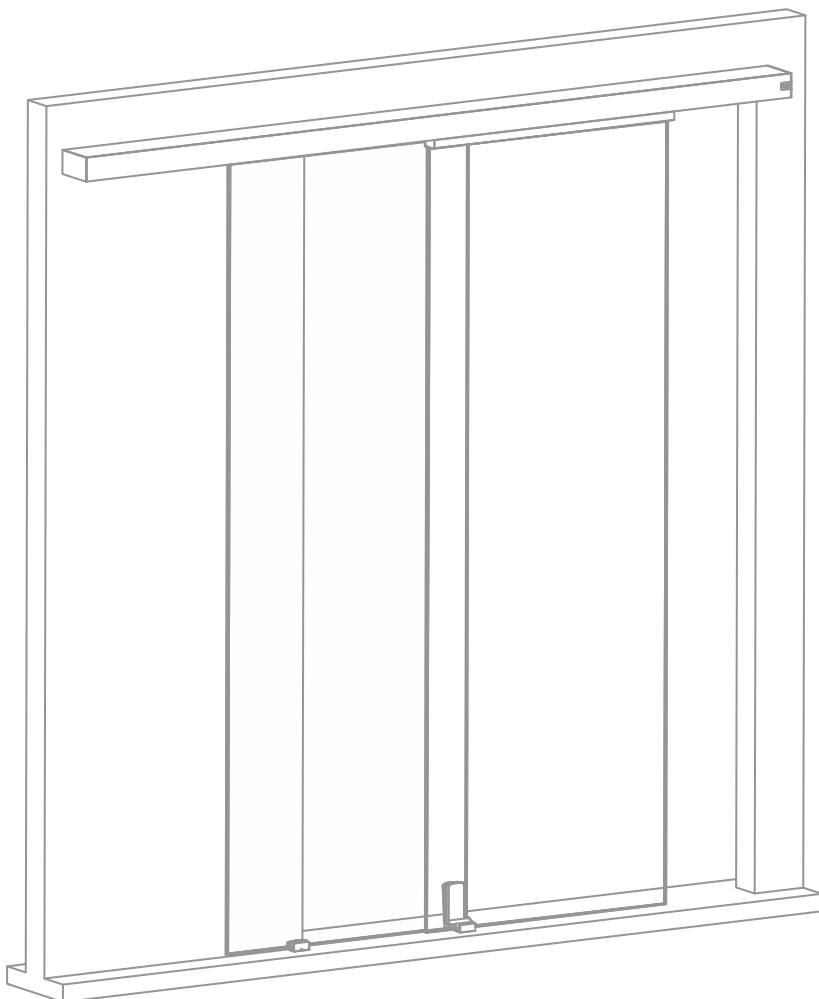


# MUTO Premium XL80 Telescopic

Wall mount with moving floor guide - Optional Dormotion

Installation Manual



# Table of contents

<b>1</b>	<b>Technical specifications</b>	<b>3</b>	<b>4</b>	<b>Installation instructions - Quick moving panel (QMP)</b>	<b>16</b>
1.1	Overview	3	4.1	Installing end stops in QMP	16
	1.1.1 General information	3	4.2	Connecting the doors via the cable bracket	16
	1.1.2 Intended use	3	4.3	Securing track for QMP	17
	1.1.3 Glass requirements/fittings/mounting	3	4.4	Secure clamp profile for QMP	18
	1.1.4 Requirements for glass panel	3	4.5	Install hook set (less Dormotion)	18
	1.1.5 Safety instructions	3	4.6	Installing roller carriers	19
	1.1.6 Symbols used - Safety/Installation	3	4.7	Installing DORMOTION start/stop (optional)	20
	1.1.7 Maintenance, care, repair	3	4.8	Disengaging the anti-jump	20
	1.1.8 Disposal	3	4.9	Install glass/rollers in QMP track	21
1.2	Specification - technical data	4	4.10	Engaging anti-jump	21
1.3	Tempered laminate glass (TLG) and adhesive specifications	4	4.11	Align the cable	22
		4	4.12	Adjustment end stop location: LEADING end stop	
<b>2</b>	<b>Installation preparation</b>	<b>5</b>		Adjustment end stop location: TRAILING end stop	23
2.1	Overall	5	4.13	Securing the cable to the QMP cable clamp	24
2.2	Door/wall dimensions	6	4.14	Install DORMOTION unit into QMP track (optional)	25
<b>3</b>	<b>Installation instructions - Slow moving panel (SMP)</b>	<b>7</b>	4.15	Adjust start/stop pin height (if necessary)	27
3.1	Installing end stops in SMP	7	4.16	QMP track cover and end caps	28
3.2	Specifications for securing track to mounting surface	7	4.17	SMP cover profile	29
3.3A	Installing roller carriers: on SMP tempered monolithic glass ONLY	8	4.18	Cover profile for passage	30
3.3B	Installing roller carriers: on SMP tempered laminate glass ONLY	9	4.19	Cover clips	30
3.4	Adjust roller carrier wheels	10	4.20	Install brush profile	31
3.5	Disengage the anti-jump	10	4.21	Secure system cover and system end caps	32
3.6	Assemble simultaneous drive	11			
3.7	Secure moving floor guide	12			
3.8	Install glass/rollers in SMP track	13			
3.9	Install floor guide	13			
3.10	Install floor guide: continued	14			
3.11	Engaging anti-jump	14			
3.12	Adjustment door height	14			
3.13	Adjustment end stop location: LEADING end stop				
	Adjustment end stop location: TRAILING end stop	15			

# 1 Technical specifications

## 1.1 Overview

These instructions are for installation of MUTO Premium XL80 Telescopic panels for the following mounting and style versions:

### 1. Wall mount

#### 1.1.1 General information

- dormakaba requires use of tempered laminated or tempered monolithic glass.
- dormakaba glass hardware is not suitable for harsh environment; for example, applications where chemicals (e.g. chlorine) are used such as indoor swimming pools, saunas, or salt-water pools.
- Never move sliding panels faster than walking speed and always stop the door manually before it reaches end position.
- Do not slide doors with excessive force. Ensure proper installation of limiting stop to prevent door from opening too far.

#### 1.1.2 Intended use

- For sliding doors in dry indoor areas only.
- For manual slow opening and closing only.

#### 1.1.3 Glass requirements/fittings/mounting

- The substructure/wall must be able to bear permanent loads, be level (max. tolerance: 1/16" [2] per 39" [1m]).
- Fasteners must be sufficiently dimensioned for the substructure/wall and weight of the door.
- When adjusting glass components, always stick to the required clearance for the respective hardware. Adjust clearance so glass does not come in contact with any hard surfaces such as glass, metal or concrete.
- Do not use excessive force when installing the glass (avoid over tightening screws.)

#### 1.1.4 Requirements for glass panel

- dormakaba requires use of fully tempered glass, which complies with ASTM C 1036 and ASTM C 1048. Secondary heat soaking processes are recommended but not required. This applies to both tempered monolithic and tempered laminated glass.
- Clamping area must be flat and uncoated (no self-cleaning coating!)
- Never use glass with conchoidal fractures and/or damaged edges.

#### 1.1.5 Safety instructions

- Installation requires two people.
- Always wear protective clothing.

- Only properly qualified and specially trained staff are authorized to mount dormakaba glass hardware.
- Due to crushing hazards and possible injury caused by breakage of glass during mounting, corresponding protective clothing (especially gloves and protective goggles) is required.
- Never clamp metal fitting hardware directly to glass surface.

#### 1.1.6 Symbols used - Safety/Installation



##### CAUTION

Mounting components must meet the requirements of substructure/wall and door weight. Please read the technical information for fittings.



##### WARNING

Risk of breaking glass. When installing the door, support the door panel with a block of wood or similar object.



##### TIPS AND RECOMMENDATIONS

Information note



##### CLOSING EDGE OF DOOR

#### 1.1.7 Maintenance, care, repair

- Immediately replace damaged parts.
- Always use original dormakaba parts.
- Clean clamping area with alcohol-based standard commercial cleaning agent before mounting the glass hardware.
- Use a damp cloth for occasional cleaning.
- Always use silicone - and oil-free cleaners (e.g. acetone).
- Check glass hardware at regular intervals for proper positioning, smooth operation and correct adjustment.
- High traffic door systems require inspection by properly qualified staff (specialized companies or installation firms.)

#### 1.1.8 Disposal

Disposal in accordance with local, state and national regulations.

## 1.2 Specification - technical data

		2 panels	4 panels
		XL80 Telescopic	XL80 Telescopic
Wall mount	Door leaf weight lbs [kg] *	2 x ≤176lbs [2 x ≤80]	4 x ≤176lbs [4 x ≤80]

\* Including weight of auxiliary hardware.

LEGEND	
SMP	Slow moving panel
QMP	Quick moving panel

## 1.3 Tempered laminate glass (TLG) and adhesive specifications

Required parts for laminate glass with MUTO System (not included)	Part Number	Quantity	Usage recommendation
3M™ Scotch-Weld™ Urethane Adhesive, DP 605 NS	934.800	1 tube	1 tube per 4 roller carriers
3M™ Scotch-Weld™ EPX™ Plus II Applicator with 1:1 Plunger <sup>2</sup>	934.801	1 applicator	1:1 plunger with 934.800 adhesive
3M™ Scotch-Weld™ EPX™ Plus II Mixing Square Nozzle, 5.3mm <sup>3</sup>	934.805	Pk of 4	4 nozzles per 1 tube of adhesive
MUTO TLG gasket set	807.640	1 set	
Handling time frame	Function	Time	
	Working life ( <i>time between application and clamping of carrier</i> )	5 minutes @ 75°F	
	Handling strength	20 minutes @ 73°F or more	
	Full cure time ( <i>normal door usage not recommended until full cure time has been met</i> )	48 hours @ 73°F or more	

**NOTE: Door glass should not be installed until the full cure time has been reached (see chart above).**

- 1.1 Clean clamping area with alcohol-based standard commercial cleaning agent before mounting the glass hardware.

**Important safety-related information for the mounting and use of dormakaba glass hardware.**

- 1.2 Never clamp metal fitting hardware directly to glass surface.  
1.3 Never use clamping products on surfaces with self-cleaning coatings.

<sup>2</sup> Scotch-Weld™ EPX™ Plus II Applicator with 1:1 Plunger is a trademark of 3M.

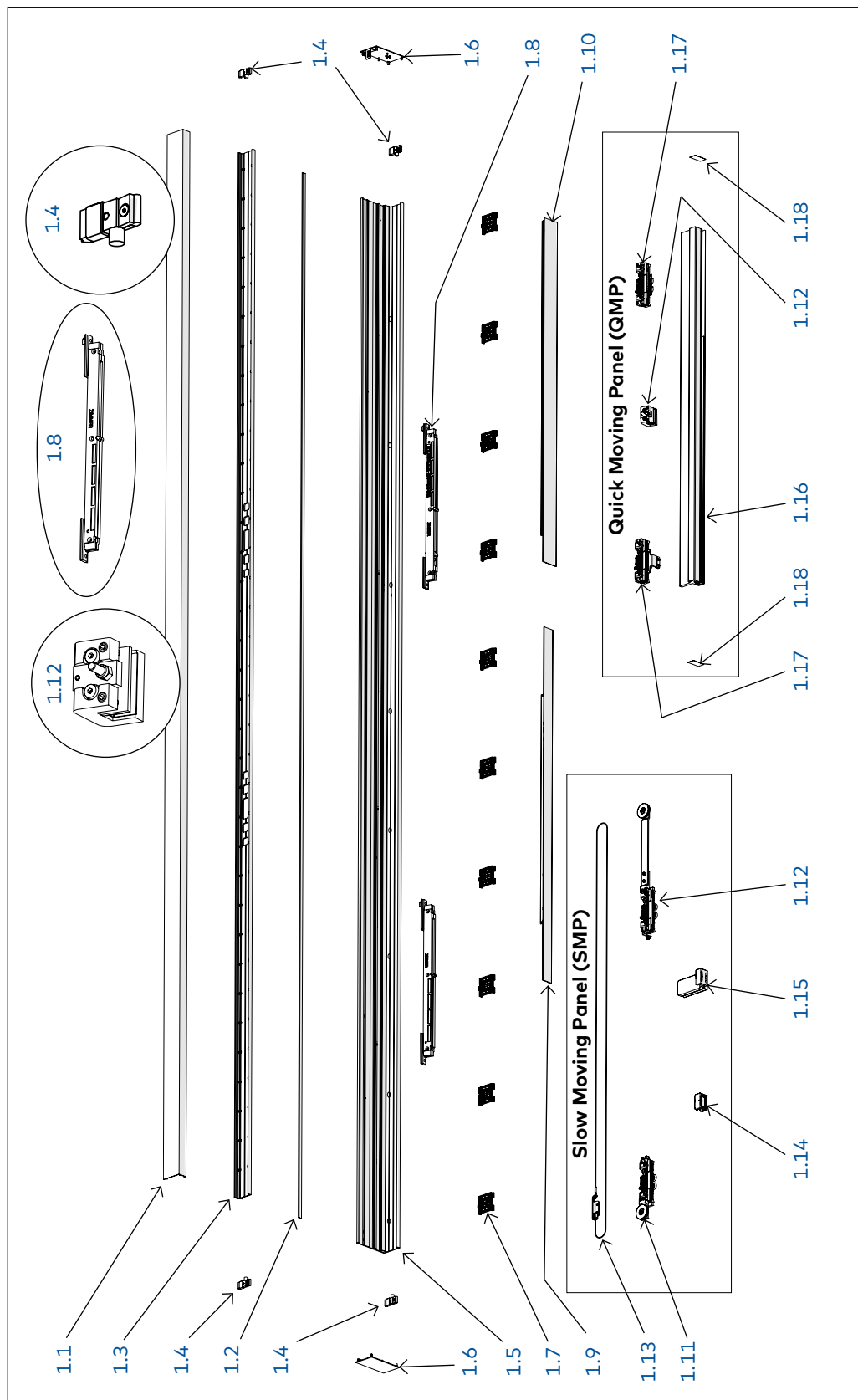
<sup>3</sup> Scotch-Weld™ EPX™ Plus II Mixing Square Nozzle is a trademark of 3M.



# 2 Installation preparation

## 2.1 Overall

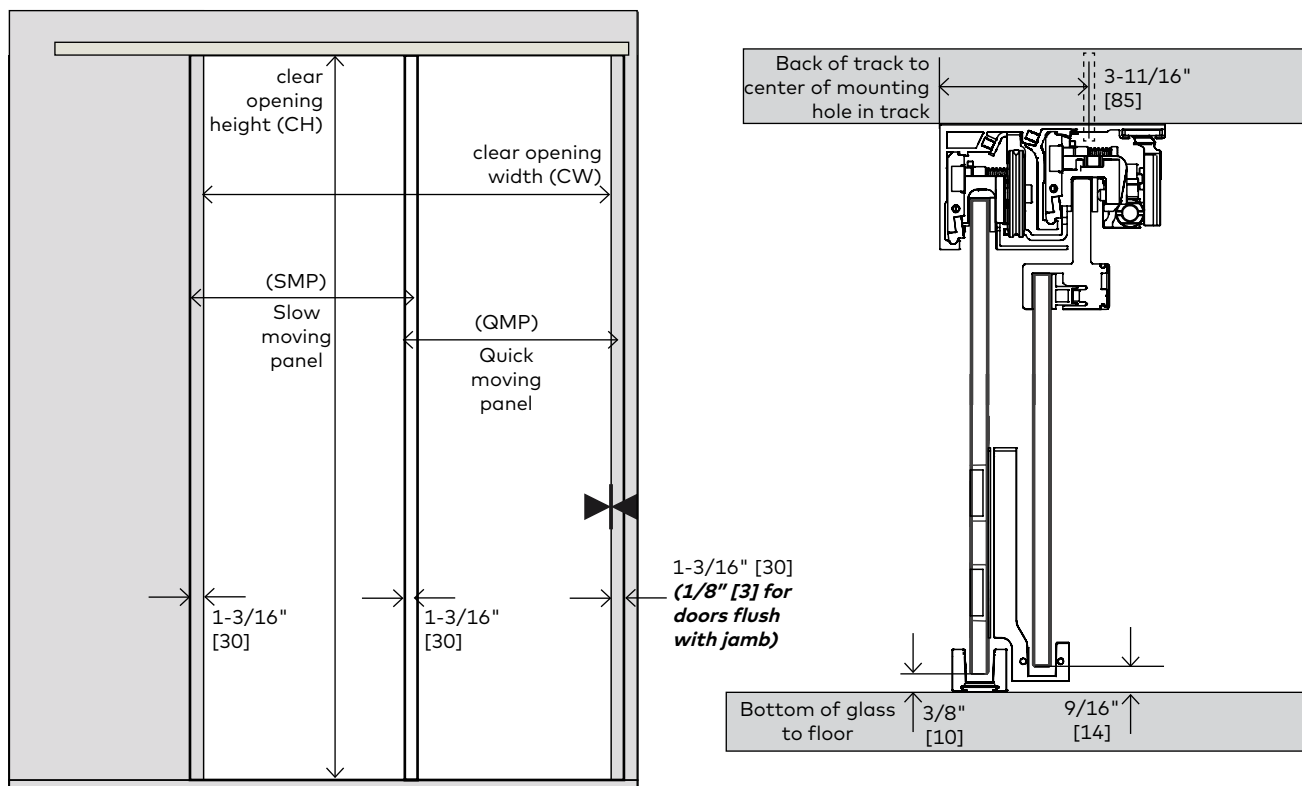
Fig 1



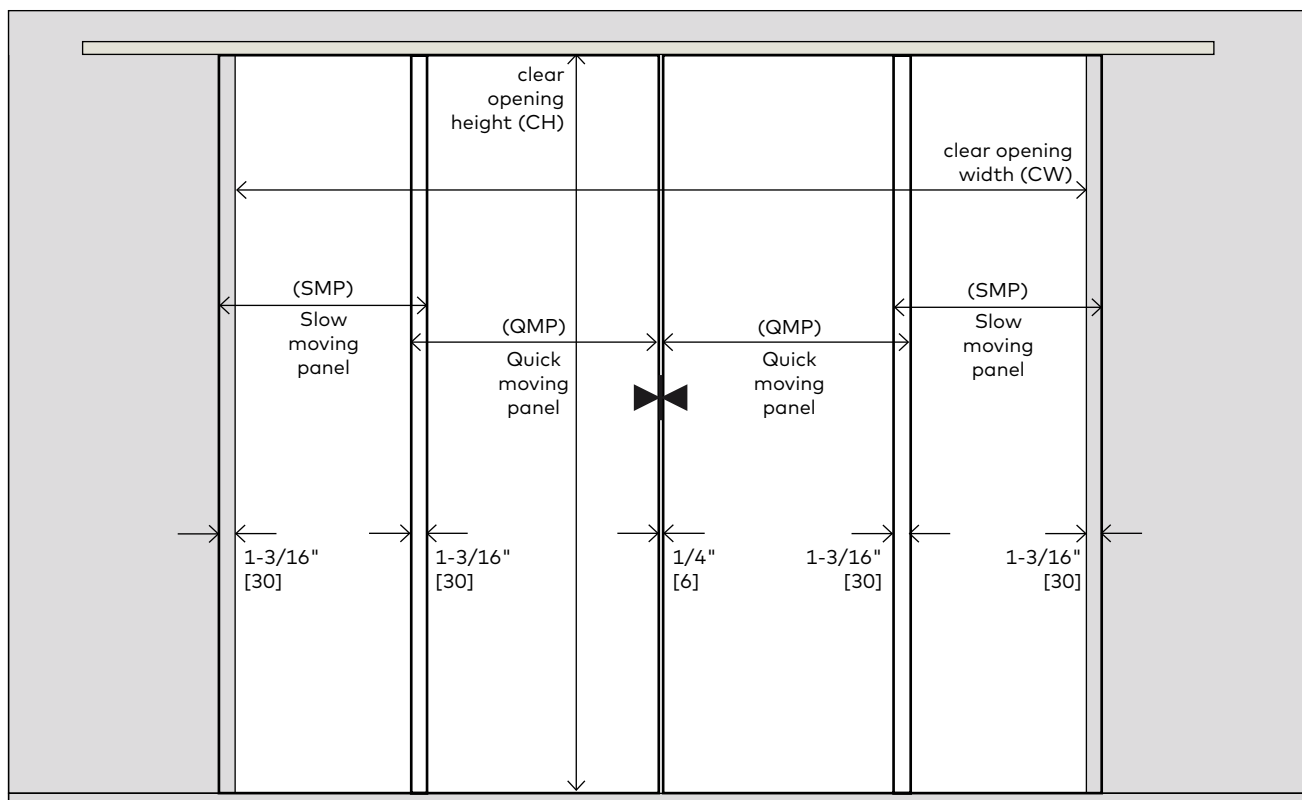
- |     |                                     |      |                           |      |                               |
|-----|-------------------------------------|------|---------------------------|------|-------------------------------|
| 1.1 | Cover                               | 1.10 | Cover profile for passage | 1.15 | Moving floor guide            |
| 1.2 | Brush strip                         | 1.11 | SMP Roller carriers (x2)  | 1.16 | Quick Moving Panel clamp      |
| 1.3 | Quick Moving Panel track            | 1.12 | Start/stop (optional)     | 1.17 | GMP Roller carriers (x2)      |
| 1.4 | End stops (x4)                      | 1.13 | Simultaneous drive        | 1.18 | GMP glass clamp end caps (x2) |
| 1.5 | Slow Moving Panel track             | 1.14 | Floor guide               |      |                               |
| 1.6 | Track end caps (x2)                 |      |                           |      |                               |
| 1.7 | Cover clips                         |      |                           |      |                               |
| 1.8 | Dormotion unit (x2) (optional)      |      |                           |      |                               |
| 1.9 | Cover profile for Slow Moving Panel |      |                           |      |                               |

## 2.2 Door/wall dimensions

### 2 panel - Right (shown) or Left hand opening



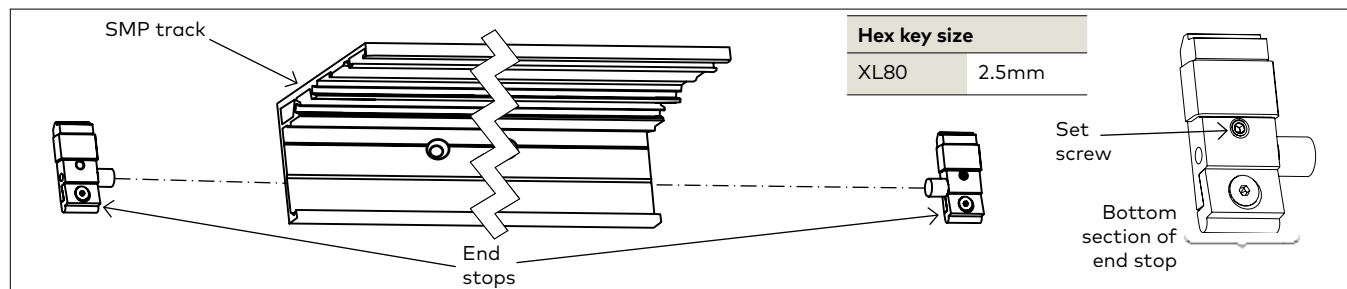
### 4 panel - Bi-parting opening



## 3 Installation instructions - Slow moving panel (SMP)

### 3.1 Installing end stops in SMP

Fig 2



3.1.1 Slide end stops into each end of the SMP track.

**NOTE: Loosen bottom section of end stop for easier install.**

**NOTE: Exact location/adjustments will be determined in the Adjustment End Stop Location step.**

### 3.2 Specifications for securing track to mounting surface

3.2.1 Ensure track is properly level and secure it to the header mounting surface per the appropriate measurements on the following page.

**NOTE: SEE DIMENSION INSTRUCTIONS ON NEXT PAGE FOR REFERENCE.**

The wall reinforcement must be a minimum of ¼" [6] x 3" [76] steel angle, 16 gauge metal stud, or 1 1/2" [38] thick wood blocking secured to the wall studs on a maximum 16" [406] centers for the length of the track. The wall reinforcement may be flush on the wall surface or on the interior of the wall. For masonry walls the track may be secured directly to the wall with lead anchors.

3.2.2 Use appropriate fasteners according to the following recommendations.

Track mounting screws must fully penetrate the steel angle, metal stud, or wood blocking, utilizing the predrilled holes in the MUTO track.

Consult with a structural engineer to determine if reinforcement is adequate for your specific application or to meet specific codes in your location.

### 3.3A Installing roller carriers: on SMP tempered monolithic glass ONLY

Fig 3

**⚠ DETERMINE THE LEADING (X) VERSUS TRAILING (Z) EDGE OF THE GLASS.**  
 "LEADING IS SIDE CLOSEST TO LATCH CLOSED."

**\*ENSURE CARRIERS ARE SECURED TO CORRECT SIDE OF GLASS.\***

Torque values		Roller location on glass		Legend
XL80	5ft lbs [6Nm]		XL80	
<b>Hex key size</b>		SMP	X	
XL80	3mm	SMP	Z	
			2-3/8" [60]	

(Front of) Glass

(Front of) Glass

- ⚠ NOTE: FULLY CLEAN SURFACE OF GLASS WITH AN ALCOHOL-BASED MILD GLASS AND SURFACE CLEANER.**
- ⚠ ENSURE GASKET IS FREE OF DEBRIS.**
- ⚠ ENSURE ROLLER CARRIER WHEELS ARE FREE OF DEBRIS.**

- 3.3A.1 Slide SMP roller carriers onto glass.
- 3.3A.2 Slide glass gasket and metal shim between glass and roller carrier.

**NOTE: Orient with gasket facing the glass.**

- 3.3A.3 Secure roller carriers to glass at 5 ft lbs (6 Nm).

### 3.3B Installing roller carriers: on SMP tempered laminate glass ONLY

Fig 4

**DETERMINE THE LEADING (X) VERSUS TRAILING (Z) EDGE OF THE GLASS.**  
"LEADING IS SIDE CLOSEST TO LATCH CLOSED."

**\*ENSURE CARRIERS ARE SECURED TO CORRECT SIDE OF GLASS.\***

Torque values		Roller location on glass		Legend	
XL80	4ft lbs [5Nm]		XL80	 Closing edge of door	
<b>Hex key size</b>		SMP	X		2-3/8" [60]
XL80	3mm	SMP	Z		2-3/8" [60]

Secure

(Front of) Glass

3M™ Scotch-Weld™ EPX™ Plus II Applicator

(Front of) Glass

Stop when adhesive can be seen past end of roller carrier.

(Back of) Glass

**NOTE: THE RECOMMENDED ADHESIVE'S SET-UP TIME IS 20 MINUTES FOR THE DUO-PAK CARTRIDGES.**

**NOTE: USE 1:1 RATIO PLUNGER WITH THE 3M™ Scotch-Weld™ Urethane Adhesive.**

**NOTE: FULLY CLEAN SURFACE OF GLASS WITH AN ALCOHOL-BASED MILD GLASS AND SURFACE CLEANER. ENSURE NO DEBRIS IS ON THE GASKET.**

**ENSURE ROLLER CARRIER WHEELS ARE FREE OF DEBRIS.**

- 3.3B.1 Slide SMP carriers onto glass.
- 3.3B.2 Replace existing gasket with TLG gasket.
- 3.3B.3 Slide laminated glass gasket and metal shim between glass and roller carrier.

**NOTE: Orient with gasket facing the glass.**

- 3.3B.4 Relace existing set screws with vented set screws.
- 3.3B.5 Tighten vented set screws at 4 ft lbs (5Nm).

**NOTE: Onto scrap material, first dispense approximately 12" of 3M™ Scotch-Weld™ Urethane Adhesive prior to application to prevent mixing errors and ensure optimal hardening.**

- 3.3B.6 Dispense into vented set screws on both sides of carrier.

Stop application when adhesive can be seen past edge of roller carrier.

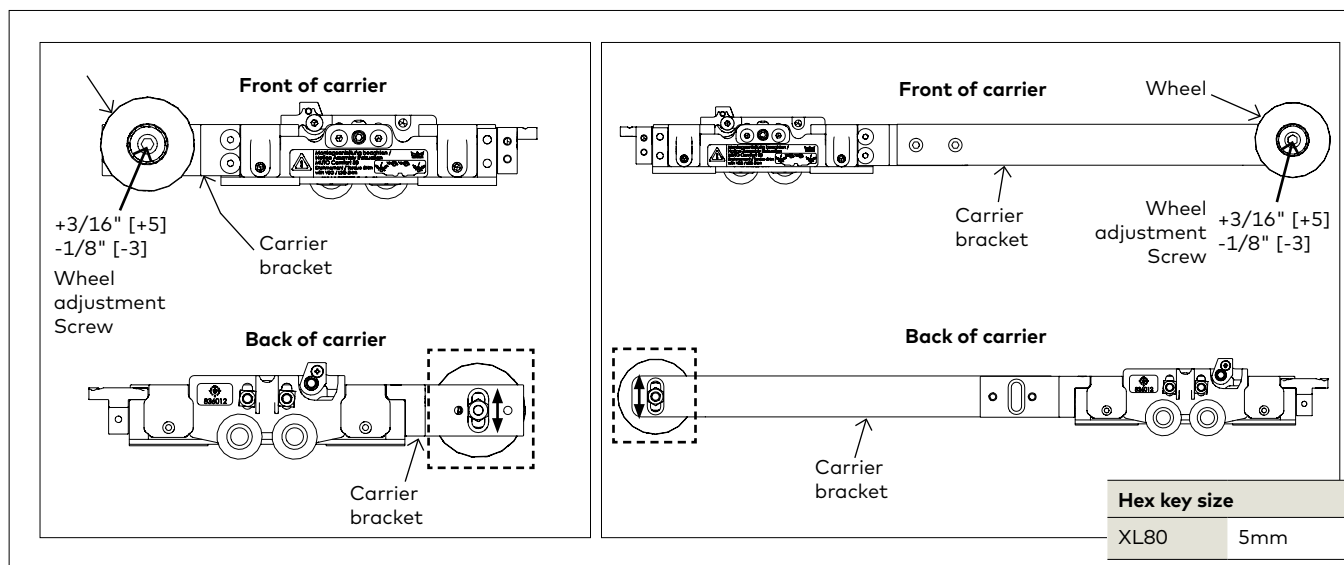
**DO NOT WIPE** any excess adhesive from glass surface. Allow adhesive to dry and scrape off glass surface with a beveled-edge chisel or putty knife.

**NOTE: Keep glass flat during curing process.**

**NOTE: See chart in Specifications section for appropriate curing time.**

### 3.4 Adjust roller carrier wheels

Fig 5



3.4.1 If more clearance is required between wheel and track, adjust accordingly.

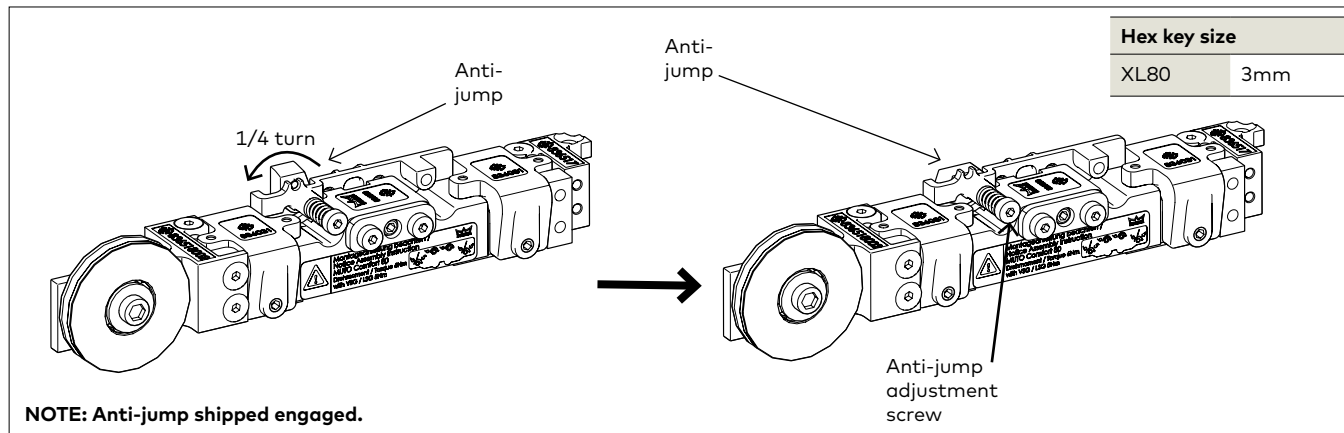
3.4.2 Loosen wheel adjustment screw.

3.4.3 Slide wheel up or down to adjust.

3.4.4 Retighten wheel adjustment screw.

### 3.5 Disengage the anti-jump

Fig 6



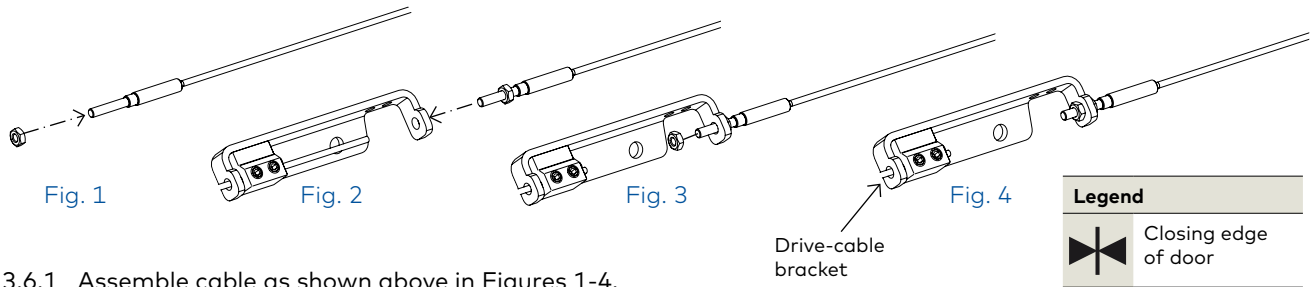
**NOTE: Anti-jump shipped engaged.**

3.5.1 Disengage the anti-jump on SMP roller carrier.

3.5.2 Using a hex key, push anti-jump adjustment screw IN and turn **COUNTER-CLOCKWISE** 90° to disengage anti-jump.

### 3.6 Assemble simultaneous drive

Fig 7

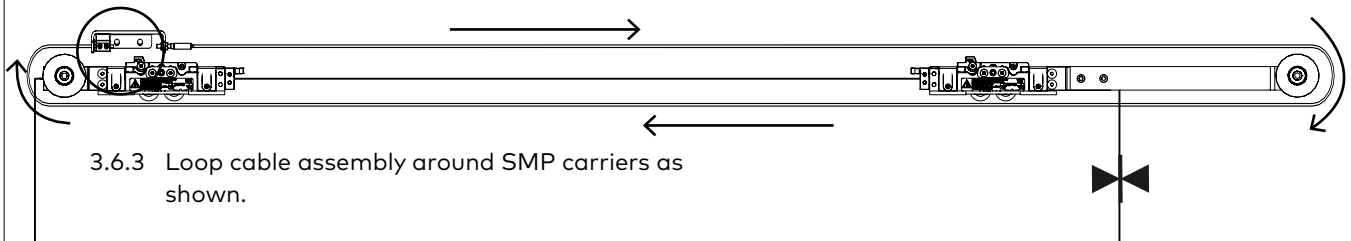


3.6.1 Assemble cable as shown above in Figures 1-4.

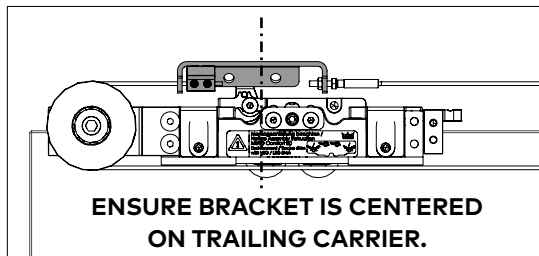
3.6.2 Measure and cut cable.

**Cable length = (SMP door width x 2) + 39" [991]**

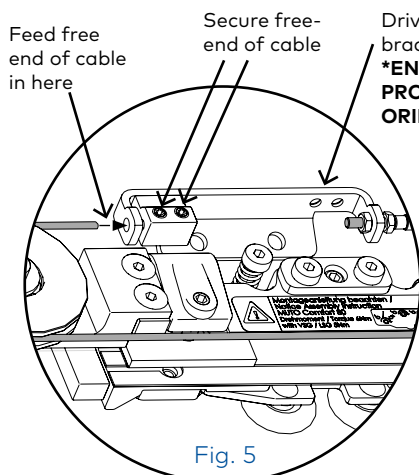
**NOTE: MANUALLY DOUBLE CHECK CABLE LENGTH BEFORE CUTTING.**



3.6.3 Loop cable assembly around SMP carriers as shown.



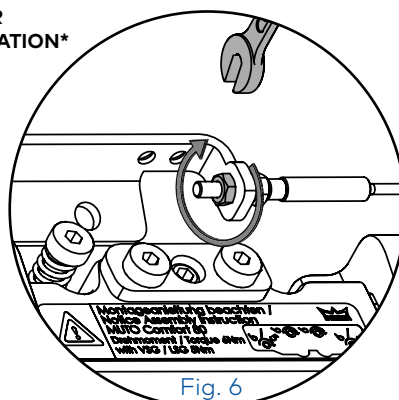
Wrench size	
XL80	5.5mm C-wrench
Hex key size	
XL80	2mm, 5mm



3.6.4 After cable is looped around, feed free-end through open side of bracket.

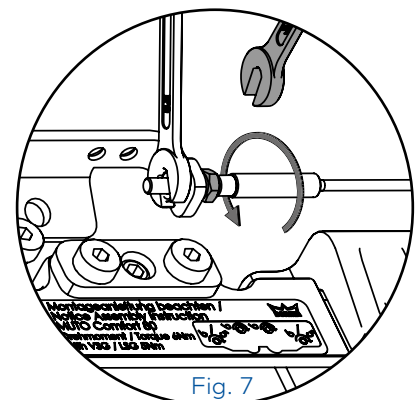
3.6.5 Secure free-end of cable inside bracket.

- Fully tighten to 2ft lbs [3Nm].



3.6.6 Fully tension cable via nut on inside of bracket.

- To tighten:** rotate wrench **CLOCKWISE**.

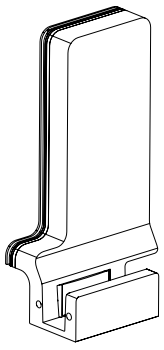


3.6.7 Tighten outside nut to lock into place.

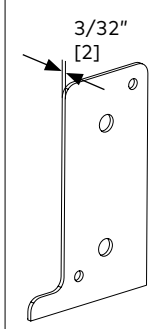
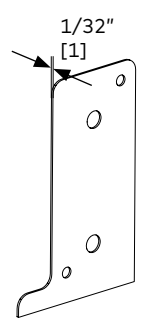
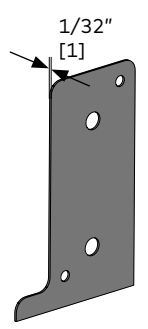
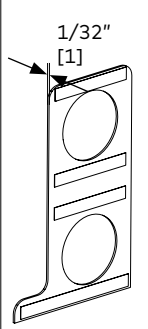
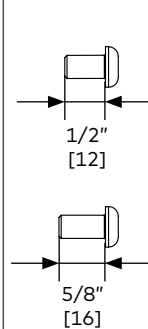
- To tighten:** hold inside nut with one wrench, rotate second wrench on outside nut **COUNTER-CLOCKWISE**.

### 3.7 Secure moving floor guide

Fig 8



**\* Right hand floor guide shown.\***

Plate #1	Plate #2	Plate #3 (Adhesive gasket)	Plate #4	Fasteners
				

Hex key size	
XL80	2mm, 5mm

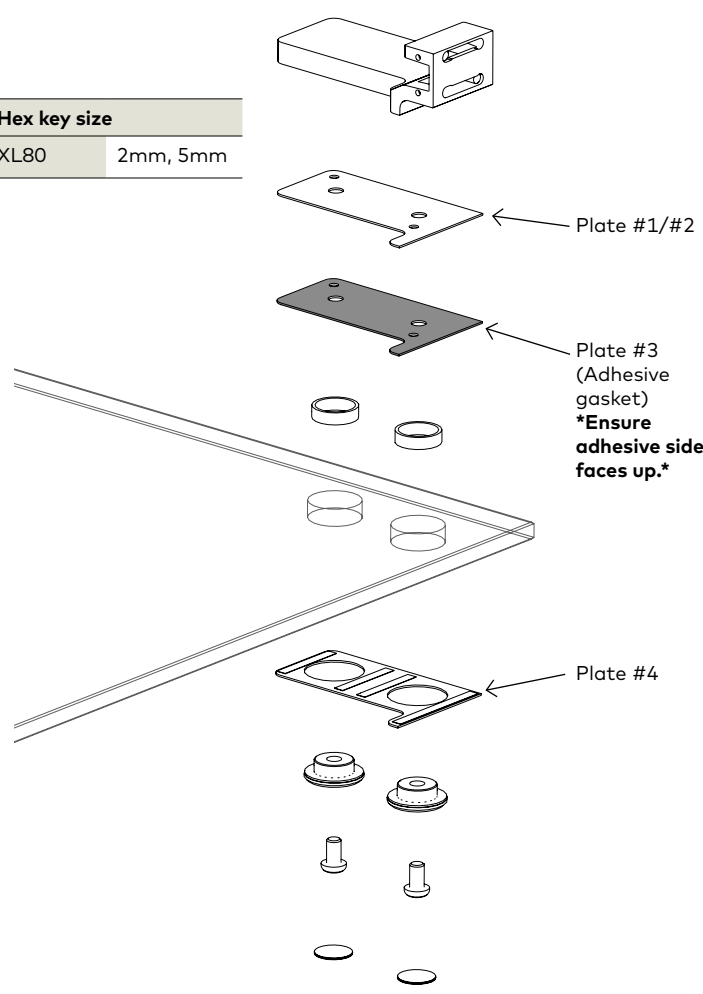
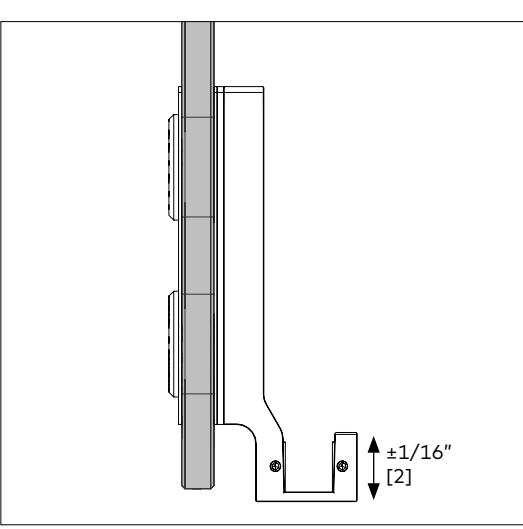


Plate #1/#2

Plate #3  
(Adhesive gasket)  
**\*Ensure adhesive side faces up.\***

Plate #4

	Glass thickness [mm]		
	3/8" [10]	1/2" [12]	17/32" [13.5]
Plate #1		<b>X</b>	
Plate #2	<b>X</b>		
Plate #3	<b>X</b>	<b>X</b>	<b>X</b>
Plate #4	<b>X</b>	<b>X</b>	<b>X</b>
Fastener lengths	1/2" [12]	5/8" [16]	5/8" [16]



3.7.1 Secure moving floor guide to SMP.

3.7.2 Use chart to determine appropriate plate(s) needed for glass thickness.

3.7.3 Orient as shown.



### 3.8 Install glass/rollers in SMP track

Fig 9

**⚠ ENSURE ROLLERS AND TRACK ARE FREE OF DEBRIS.**

3.8.1 Place SMP glass on setting blocks on floor for stability.

3.8.2 Lift glass and SMP rollers up and rest rollers on SMP track.

**\*If installing/hanging tempered laminated glass panels, ensure carrier adhesive has cured for 48 hours minimum. See Specifications section for more information regarding cure time.\***

### 3.9 Install floor guide

Fig 10

Floor guide anchor

Hex key size	
XL80	3mm

Ø5/16" [8]

1-13/32" [36]

Floor guide anchor

**⚠ CAUTION ANTI-JUMP IS DISENGAGED!**

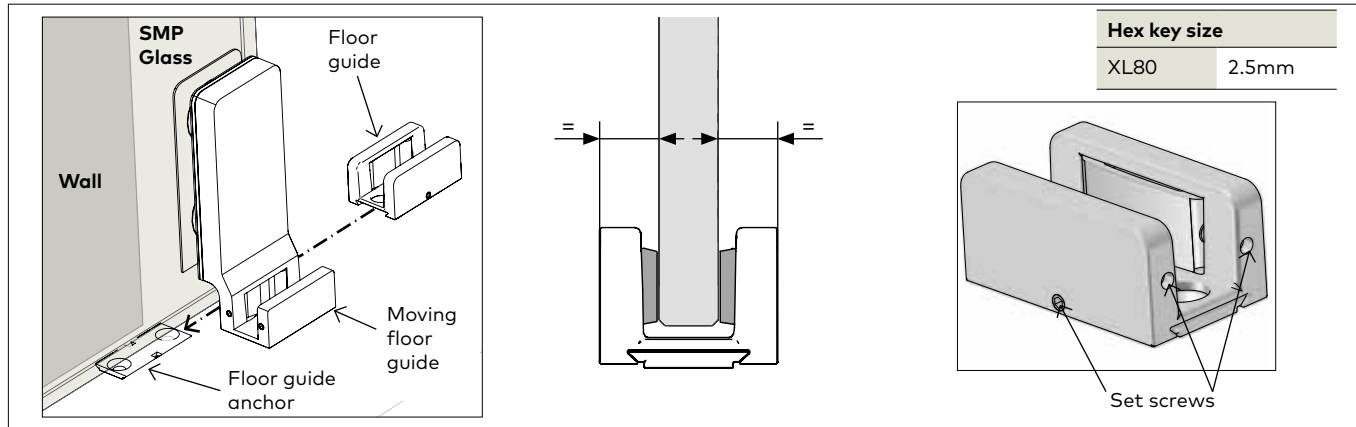
- 3.9.1 Slide door fully open.
- 3.9.2 Align centerline of glass with centerline of floor guide.
- 3.9.3 Be sure the glass is plumb.
- 3.9.4 Mark appropriate floor guide measurements.

**3.9.5 TEMPORARILY REMOVE GLASS AND ROLLERS FROM TRACK.**

- 3.9.6 Pre-drill into mounting surface using a 5/16" drill bit.
- 3.9.7 Secure floor guide anchor with included fasteners.

### 3.10 Install floor guide: continued

Fig 11



3.10.1 SET GLASS AND ROLLERS BACK ONTO TRACK.

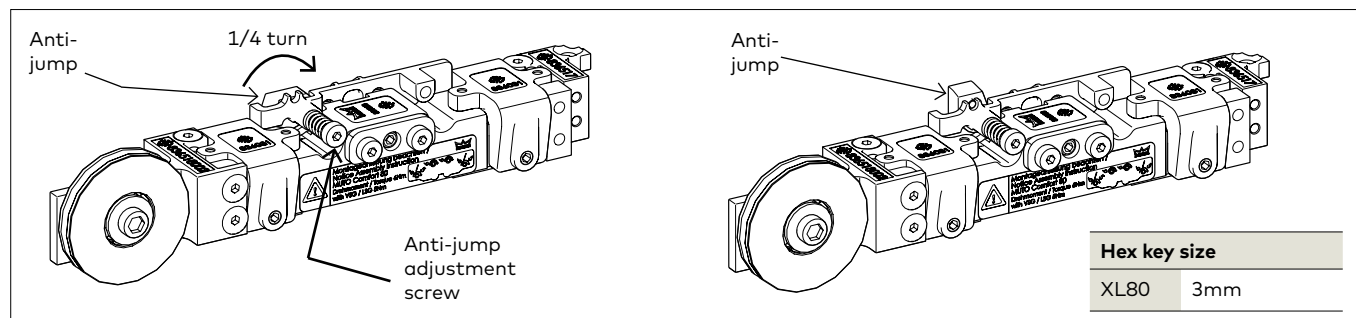
3.10.2 Slide floor guide over floor guide anchor and tighten with set screws.

3.10.3 Remove setting blocks.

**NOTE: Be sure glass is centered in floor guide. Adjust using set screws.**

### 3.11 Engaging anti-jump

Fig 12

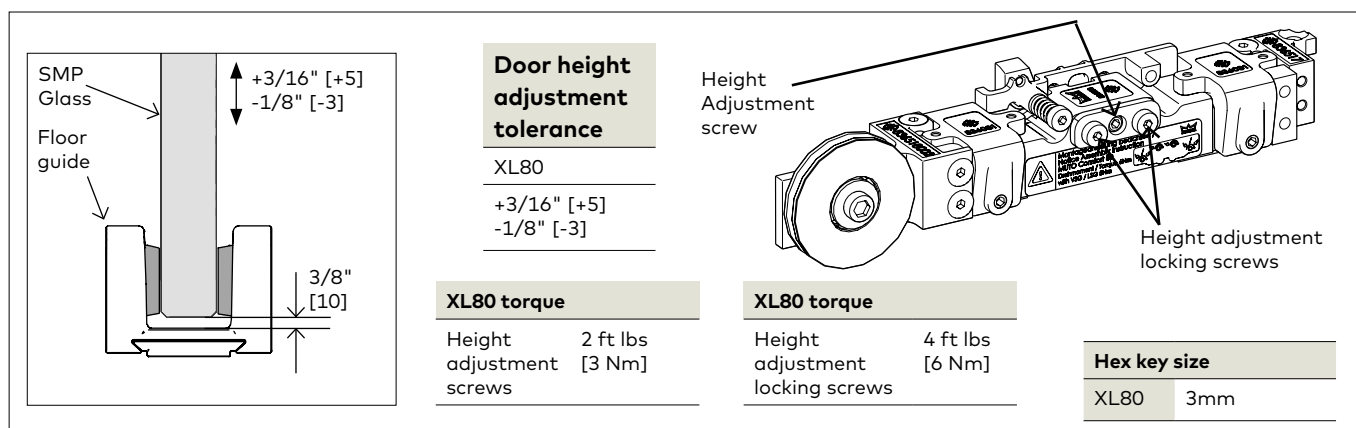


3.11.1 Engage anti-jump on roller carrier.

3.11.2 Using a hex key, push anti-jump adjustment screw IN and turn **CLOCKWISE** 90° to engage anti-jump.

### 3.12 Adjustment door height

Fig 13



3.12.1 Set height of glass door.

3.12.2 Loosen height adjustment locking screws on carrier.

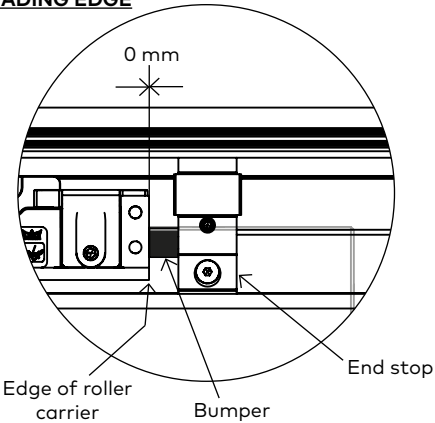
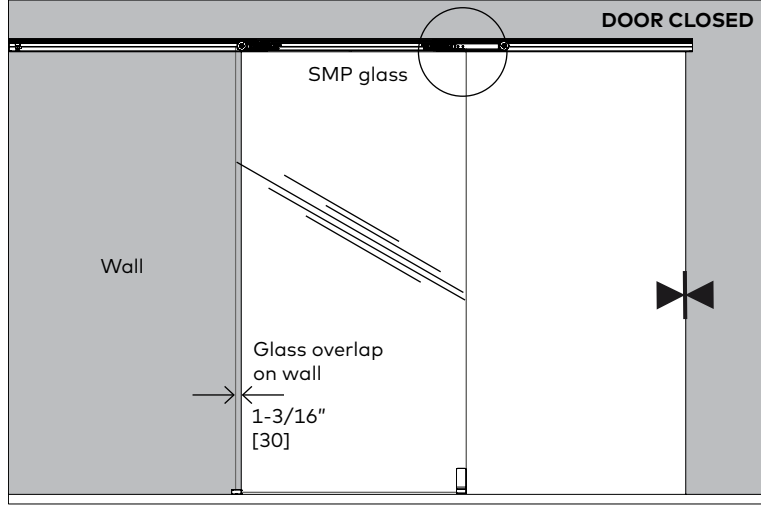
3.12.3 Using appropriate size hex key, turn height adjustment screw **CLOCKWISE** or **COUNTER-CLOCKWISE** to raise or lower glass.

**NOTE: Be sure glass is level during this adjustment.**

### 3.13 Adjustment end stop location: LEADING end stop

Fig 14

**END STOP LOCATION:  
LEADING EDGE**

0 mm

Edge of roller carrier

Bumper

End stop

DOOR CLOSED

SMP glass


Wall

Glass overlap on wall

1-3/16" [30]

**Set end stop location:**  
3.13.1 Slide end stop to desired location on track. Bumper should touch edge of roller carrier.

Hex key size	
XL80	2.5mm

Legend	
	Closing edge of door

**NOTE: Bi-folding:**  
Be sure there is a 1/4" [6] gap between the right and left hand sets.

Bumper

Secure

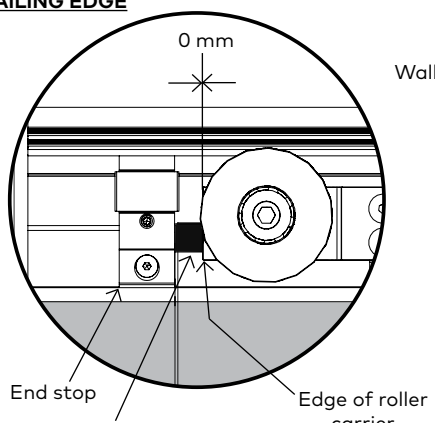
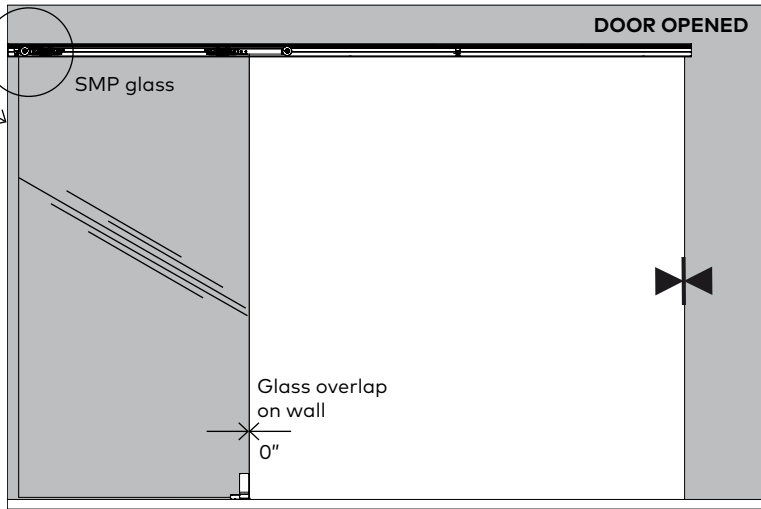
XL80 torque

2 ft lbs [3 Nm]  
Hand tighten

### Adjustment end stop location: TRAILING end stop

Fig 15

**END STOP LOCATION:  
TRAILING EDGE**

0 mm

End stop

Bumper

Edge of roller carrier

DOOR OPENED

Wall


SMP glass

Glass overlap on wall

0"

**Set end stop location:**  
3.13.1 Slide end stop to desired location on track. Bumper should touch edge of roller carrier.

Hex key size	
XL80	2.5mm

Legend	
	Closing edge of door

**NOTE: Bi-folding:**  
Be sure there is a 1/4" [6] gap between the right and left hand sets.

Bumper

Secure

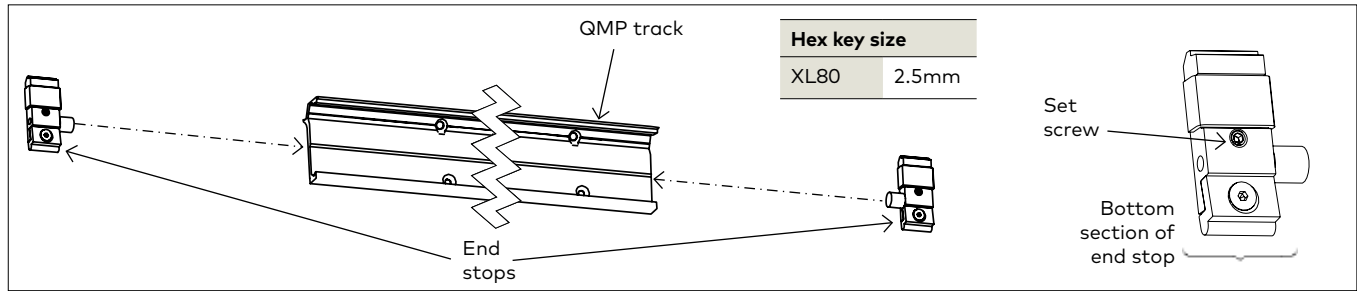
XL80 torque

2 ft lbs [3 Nm]  
Hand tighten

## 4 Installation instructions - Quick moving panel (QMP)

### 4.1 Installing end stops in QMP

Fig 16



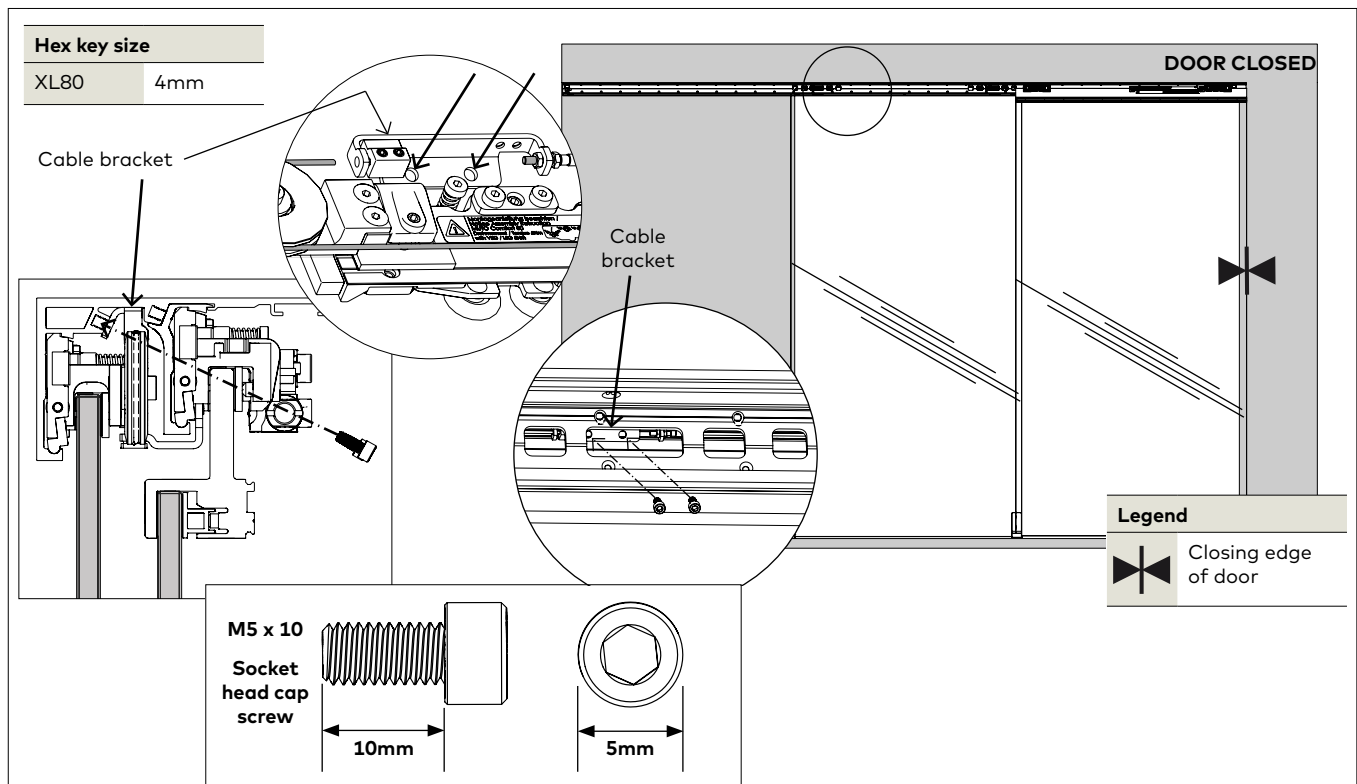
4.1.1 Slide end stops into each end of the QMP tracks.

**NOTE: Loosen bottom section of end stop for easier install.**

**NOTE: Exact location/adjustments will be determined in the Adjustment End Stop Location step.**

### 4.2 Connecting the doors via the cable bracket

Fig 17

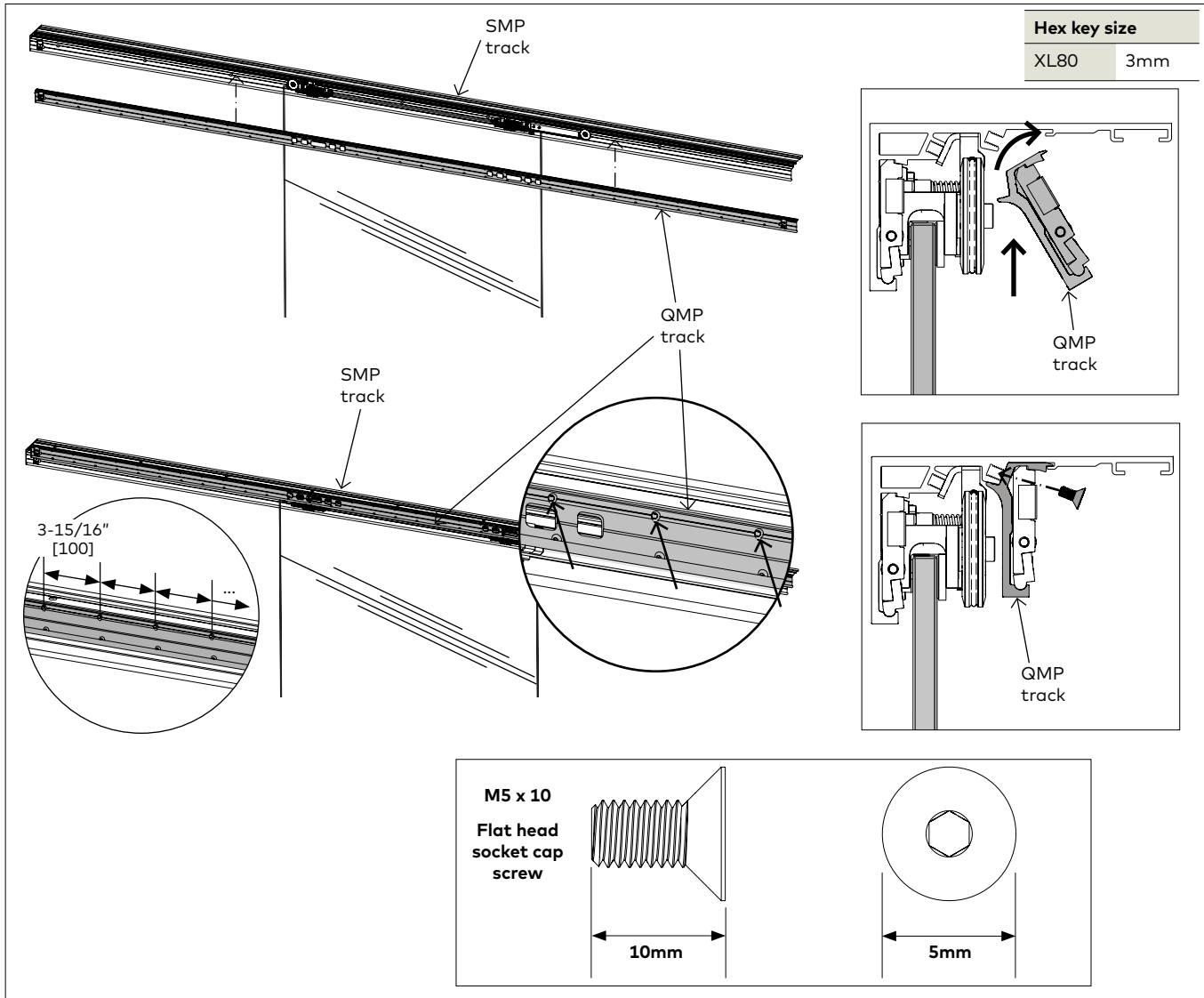


4.2.1 Push both door panels to the closing edge.

4.2.2 Secure cable bracket with two fasteners through the QMP track at 2 ft lbs [2.5Nm].

### 4.3 Securing track for QMP

Fig 18

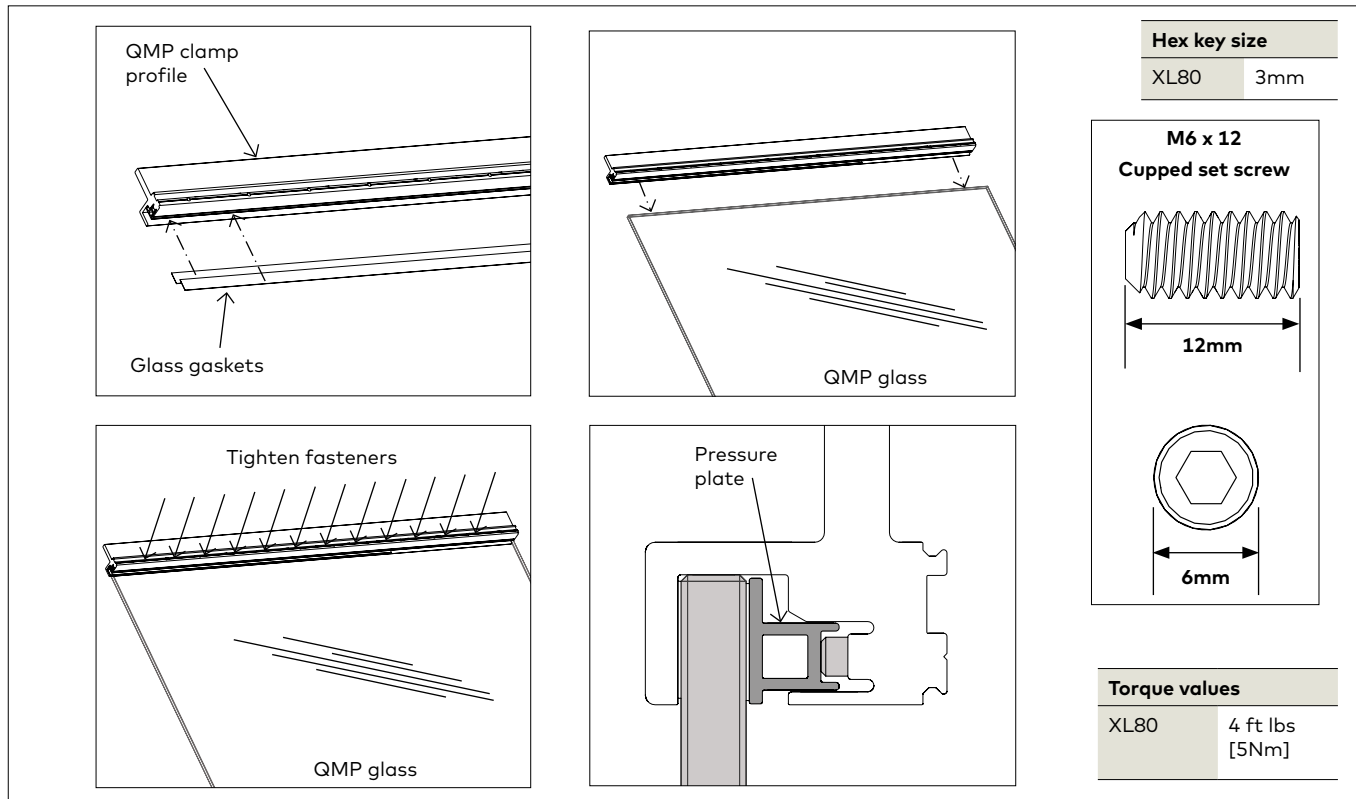


4.3.1 Secure QMP track to SMP track.

4.3.2 Secure included fasteners at 2 ft lbs [2.5Nm].

## 4.4 Secure clamp profile for QMP

Fig 19



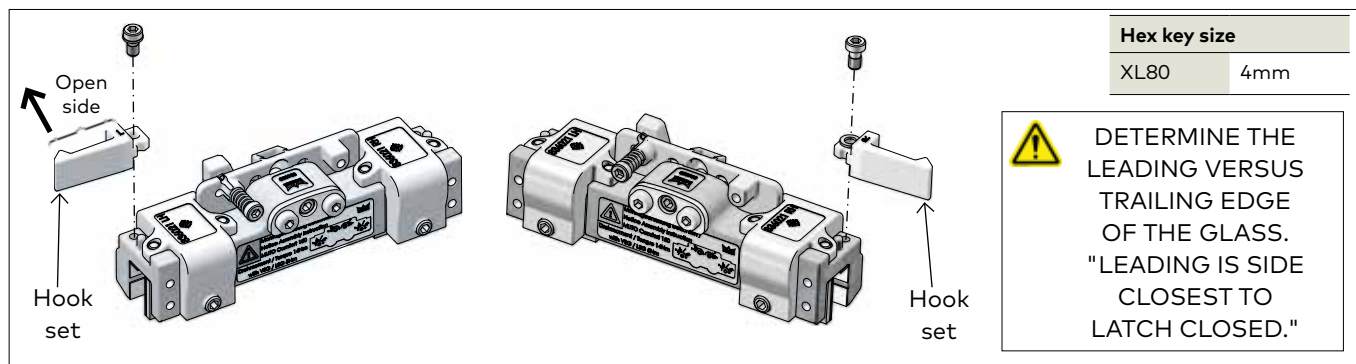
**NOTE: FULLY CLEAN SURFACE OF GLASS WITH AN ALCOHOL-BASED MILD GLASS AND SURFACE CLEANER.**

- 4.4.1 Add glass gaskets. Trim to proper length.
- 4.4.2 Secure QMP glass to glass clamp profile.

- 4.4.3 Tighten all fasteners at 4ft lbs [5Nm].
  - Do not overtighten pressure plate against glass.
  - Start at center of profile and work outwards.

## 4.5 Install hook set (less Dormotion)

Fig 20

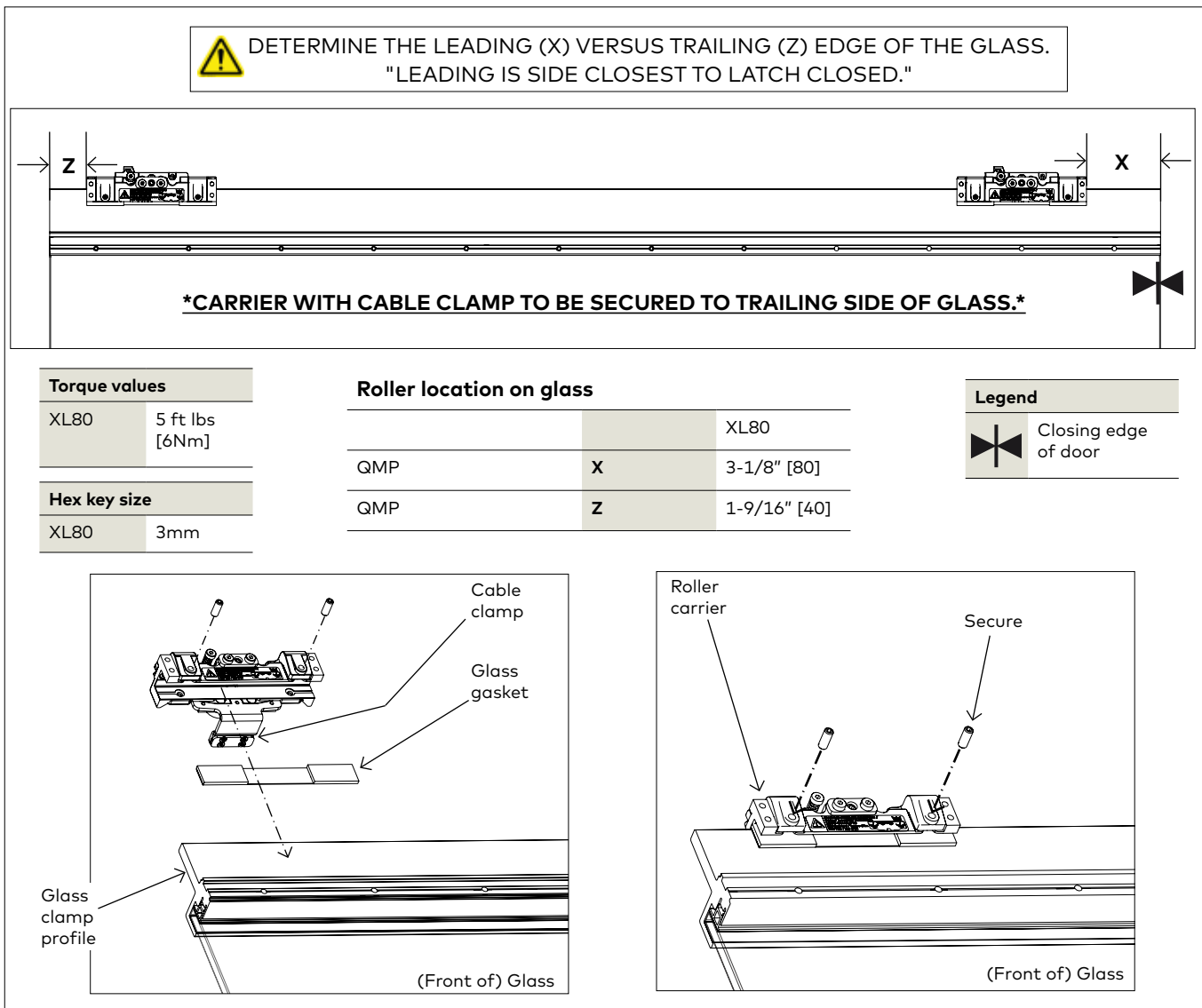


- 4.5.1 With rollers facing away from the installer, determine which roller will be leading and which will be trailing.

- 4.5.2 Secure hook onto roller with open side facing away from the installer.
- 4.5.3 Secure hook using appropriate-size hex key.

## 4.6 Installing roller carriers

Fig 21



**NOTE: FULLY CLEAN SURFACE OF CLAMP PROFILE WITH AN ALCOHOL-BASED MILD GLASS AND SURFACE CLEANER.**

**ENSURE GASKET IS FREE OF DEBRIS.**

**ENSURE ROLLER CARRIER WHEELS ARE FREE OF DEBRIS.**

4.6.1 Slide QMP roller carriers onto clamp profile.

4.6.2 Slide glass gasket and metal shim between glass and roller carrier.

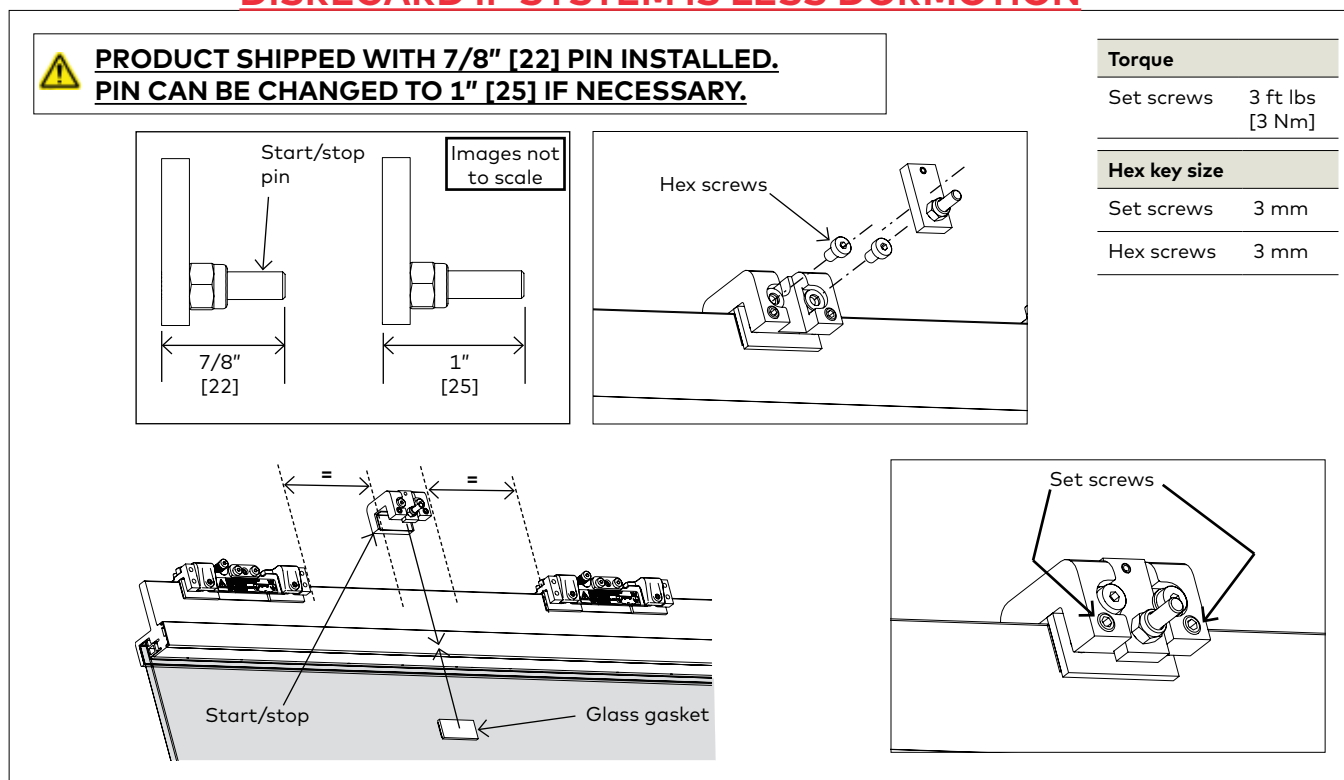
4.6.3 Secure roller carriers to clamp profile at 5 ft lbs (6 Nm).

**NOTE: Orient with gasket facing the glass.**

## 4.7 Installing DORMOTION start/stop (optional)

Fig 22

**DISREGARD IF SYSTEM IS LESS DORMOTION**



**NOTE:** Determine a pin length based upon how square and plumb the opening is.

- 4.7.1 If required, change pin in start/stop assembly.
- Remove hex screws.
  - Remove existing pin and plate.
  - Swap in appropriate pin and plate.
  - Replace hex screws.

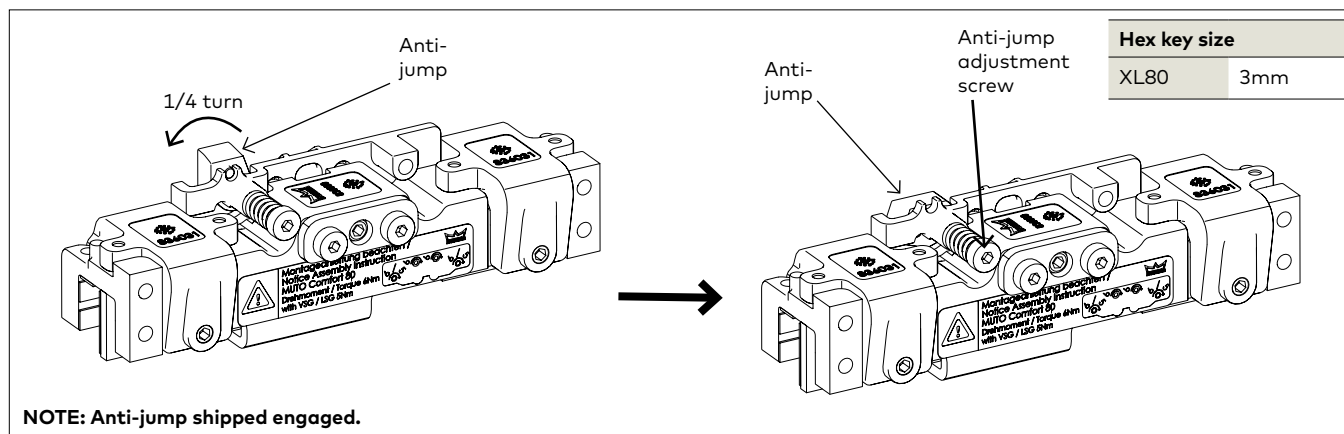
- 4.7.2 Slide start/stop onto glass.  
4.7.3 Center equally between the carriers.  
4.7.4 Slide glass gasket between start/stop and glass.

**NOTE:** Orient with gasket facing glass.

- 4.7.5 Secure start/stop via set screws.

## 4.8 Disengaging the anti-jump

Fig 23



- 4.8.1 Disengage the anti-jump on roller carrier.

- 4.8.2 Using the appropriate size hex key, push anti-jump adjustment screw IN and turn **COUNTER-CLOCKWISE 90°** to disengage anti-jump.

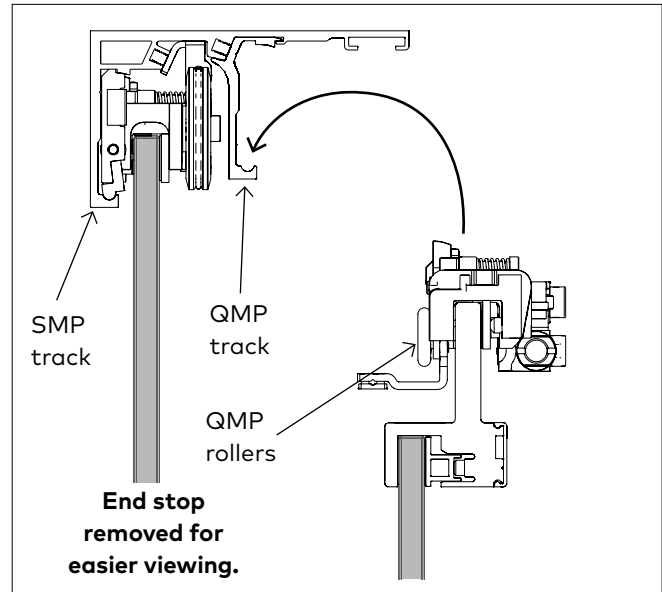


## 4.9 Install glass/rollers in QMP track

Fig 24

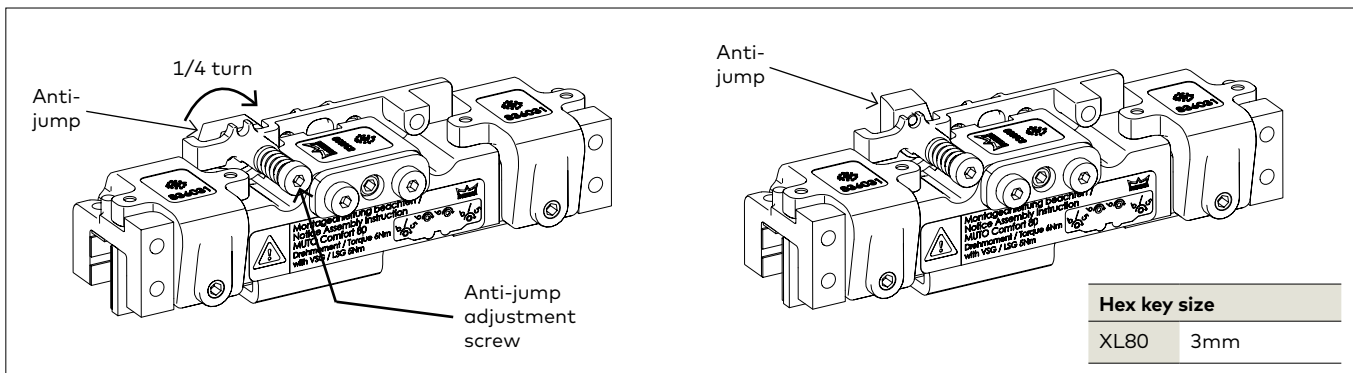
**⚠ ENSURE ROLLERS AND TRACK ARE FREE OF DEBRIS.**

- 4.9.1 Place QMP glass on setting blocks on floor for stability.
- 4.9.2 Lift glass and QMP rollers up and rest rollers on track.



## 4.10 Engaging anti-jump

Fig 25

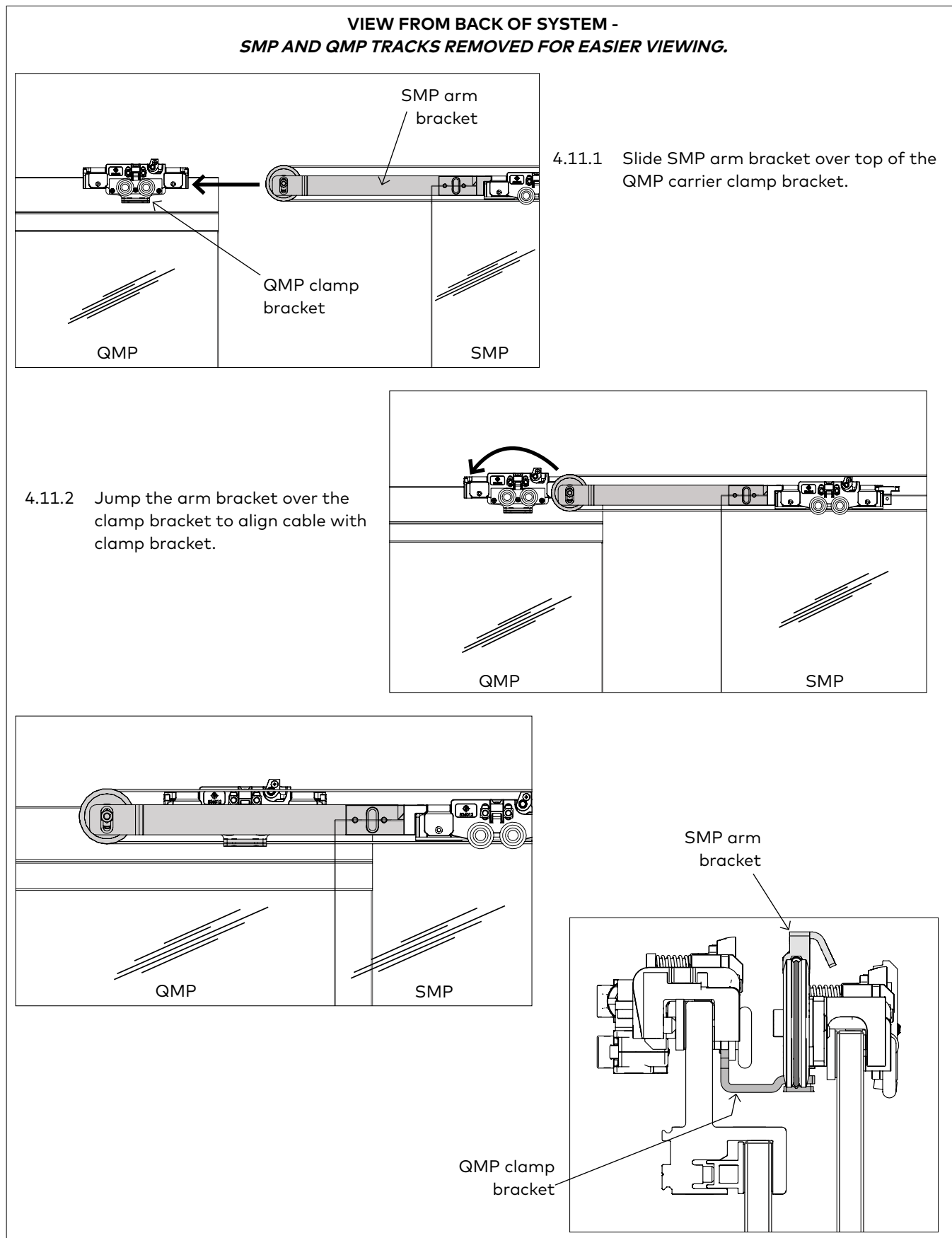


4.10.1 Engage anti-jump on roller carrier.

4.10.2 Using a hex key, push anti-jump adjustment screw IN and turn **CLOCKWISE 90°** to engage anti-jump.

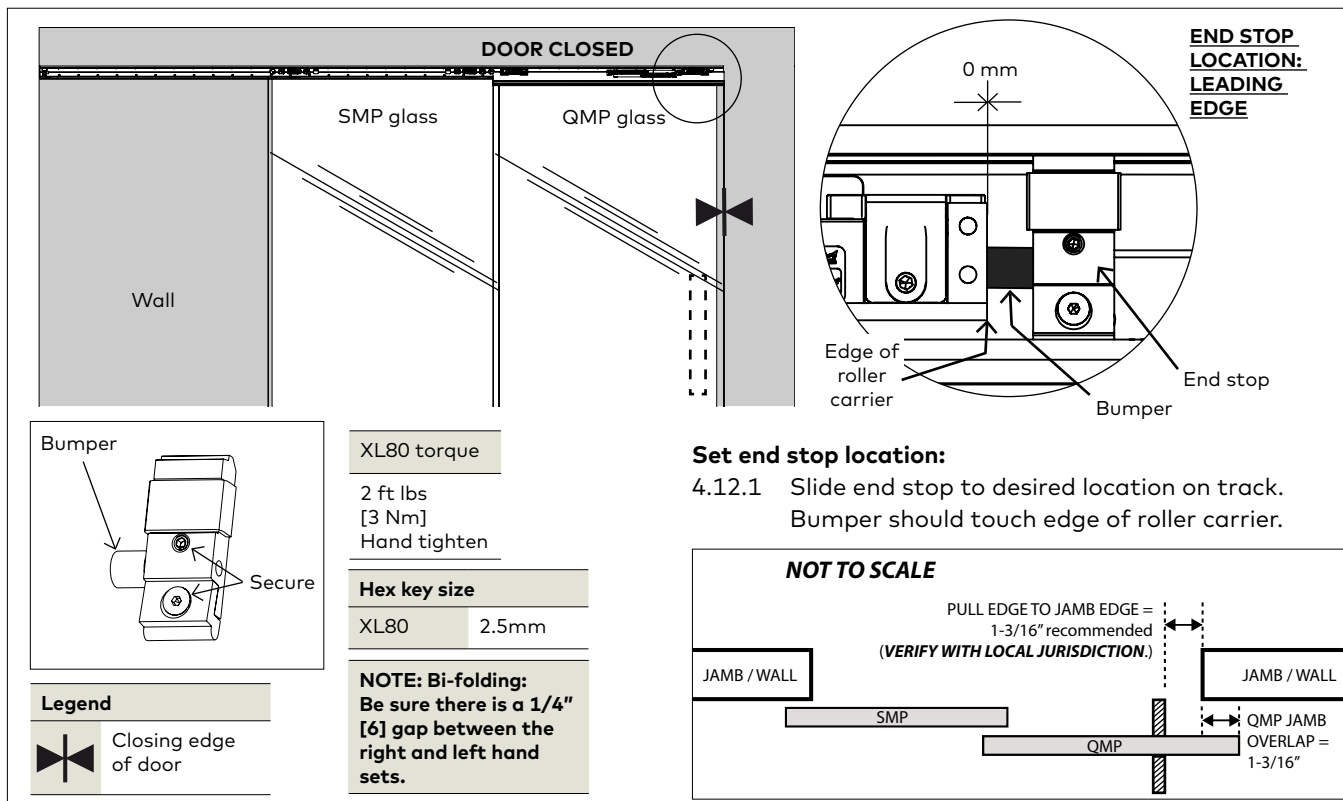
## 4.11 Align the cable

Fig 26



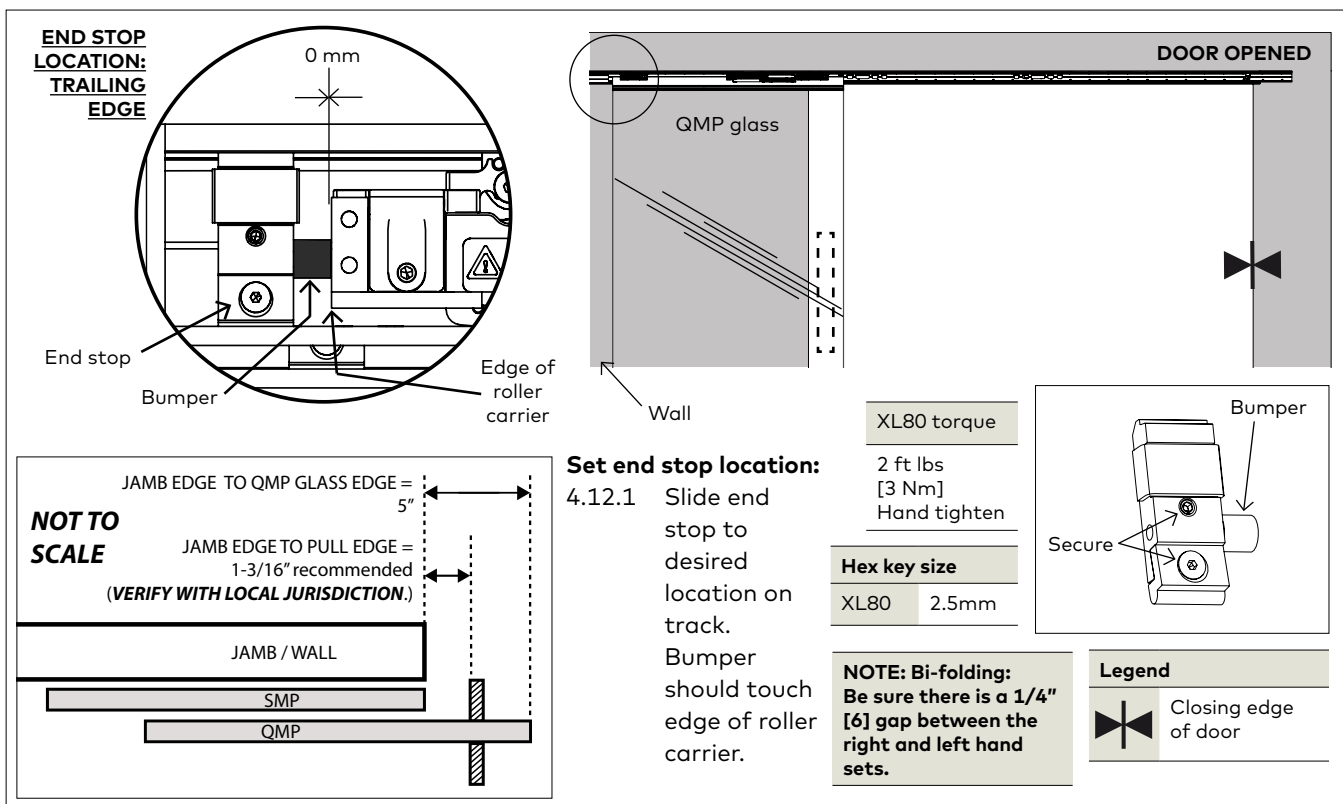
## 4.12 Adjustment end stop location: LEADING end stop

Fig 27



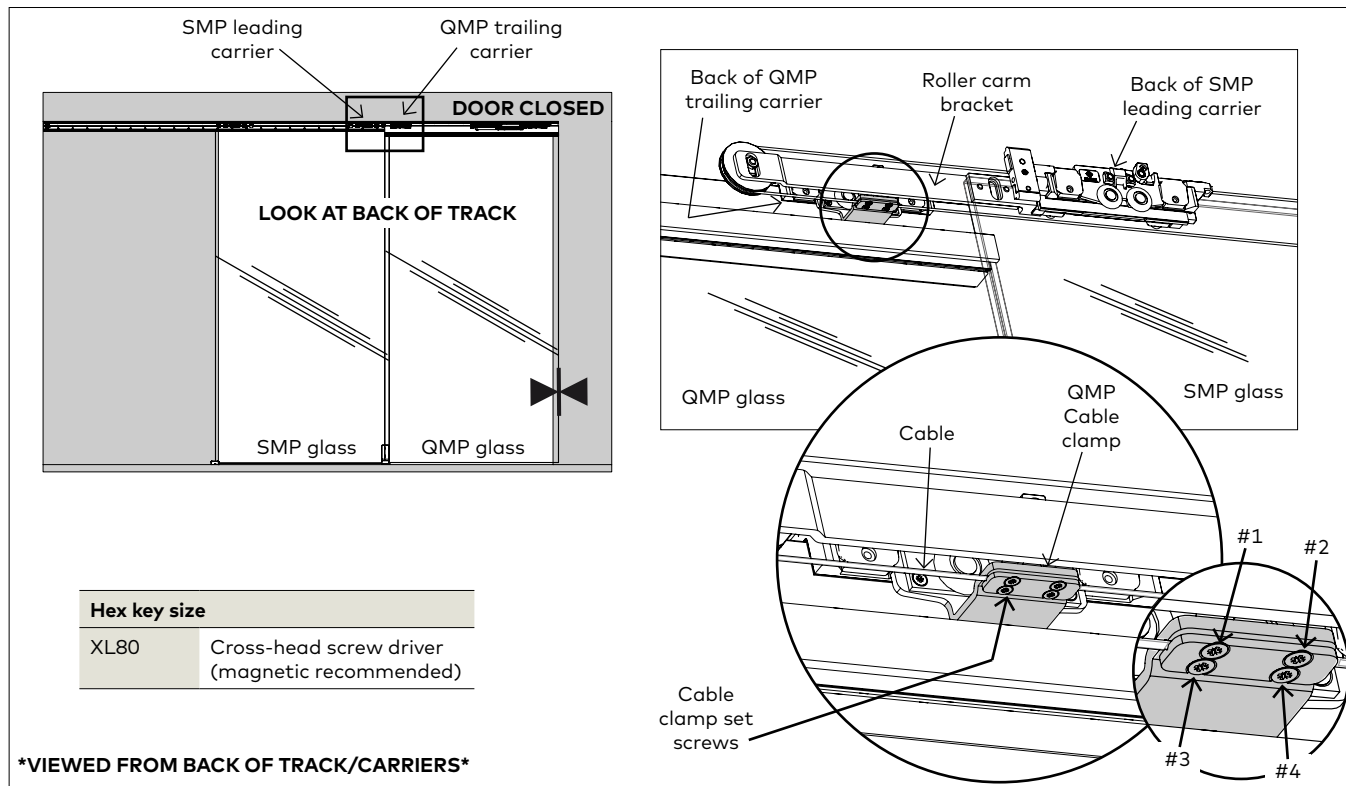
## Adjustment end stop location: TRAILING end stop

Fig 28



## 4.13 Securing the cable to the QMP cable clamp

Fig 29



4.13.1 **Remove** cable clamp set screws **#1** and **#2**.

4.13.2 **Loosen** cable clamp set screws **#3** and **#4**.

4.13.3 Align cable inside clamp.

4.13.4 Reinsert and retighten all screws.

## 4.14 Install DORMOTION unit into QMP track (optional)

Fig 30

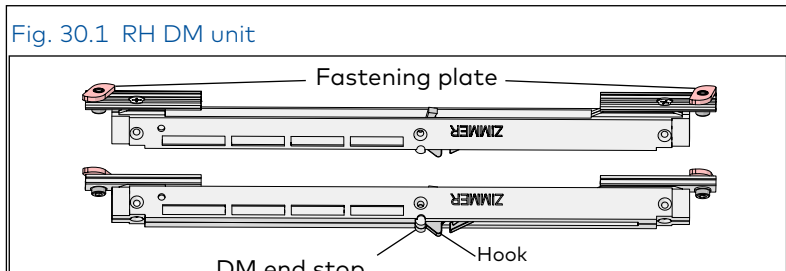


Fig. 30.2 RH DM unit fastening plates rotated

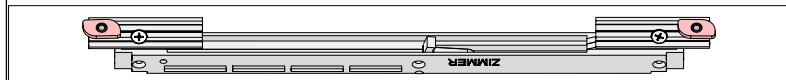


Fig. 30.3 RH DM unit inserted in track

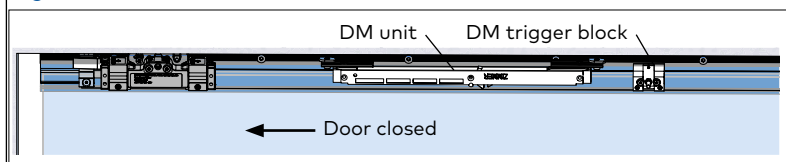


Fig. 30.4 DM unit hook positioned in trigger

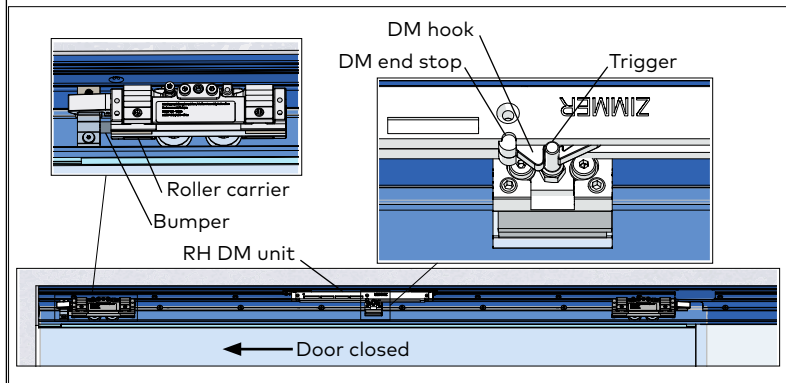


Fig. 30.5 DM unit end stop positioned 5 mm from DM hook

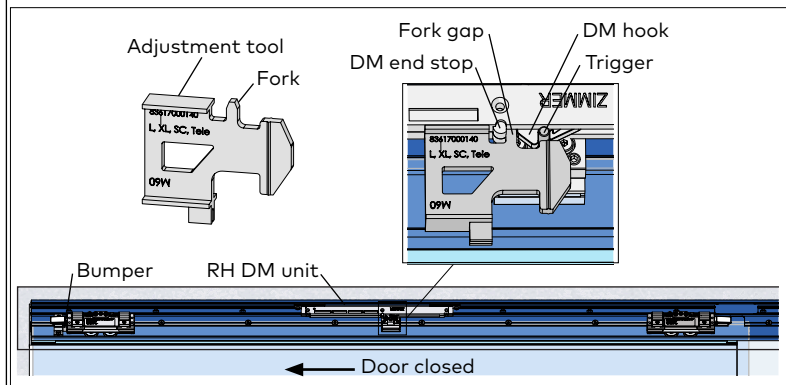
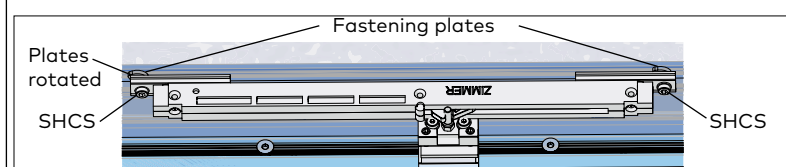


Fig. 30.6 RH DM unit fastening plates secured in track



### 4.14.1 Rotate RH DM fastening plates.

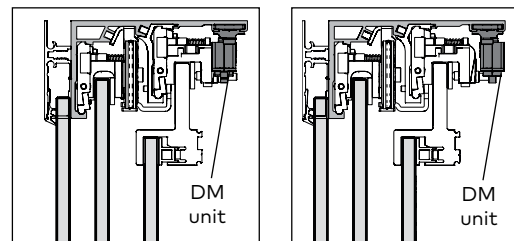
- Using 4 mm hex key, loosen fastening plate hex screws.
- Rotate fastening plates until they are parallel to the DM unit (Fig. 30.2)
- Snug hex screws.

### 4.14.2 Move door to close position.

- For installation of RH DM unit, door must be in the closed position against bumper.

Fig. 30.7 DM unit aligned in track

Incorrect orientation      Correct orientation



### 4.14.3 Align DM unit in track, engage DM hook in DM trigger.

- Align DM unit in track (Fig. 30.7).
- Slide DM unit over the DM trigger block until the DM hook engages the DM trigger (Fig. 30.4)

### 4.14.4 Use adjustment tool to set DM unit final position.

- Place adjustment tool flat against DM unit with fork between DM hook and DM end stop (Fig. 30.5).
- Slide DM unit over until hook and DM end stop are against the fork. This sets 5 mm gap (Fork gap).
- **Trigger height:** Adjust so trigger sets on top of adjustment tool (Para. 4.15).

### 4.14.5 Secure the DM unit in position.

- NOTE: Insure door is fully closed against bumper before performing this step.
- Using 4 mm hex key, tighten DM unit fastening plate socket head cap screws . Fastening plates must engage the track (Fig. 30.6 and .8).

#### Torque

Socket head cap screws	3 ft lbs [4 Nm]
------------------------	--------------------

Fig. 30.8 RH DM unit installed in track

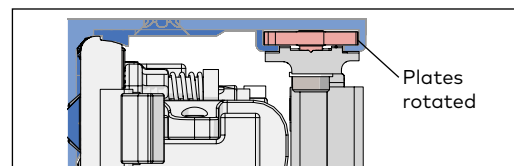


Fig. 30 DM unit installation (Con't)

Fig. 30.9 LH DM unit

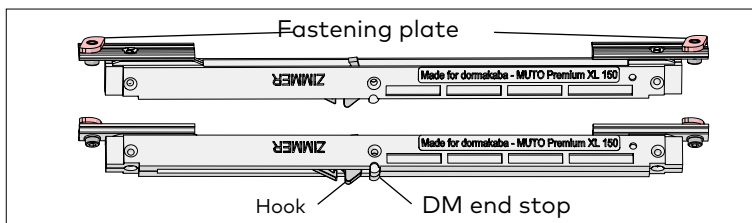


Fig. 30.10 LH DM unit fastening plates rotated

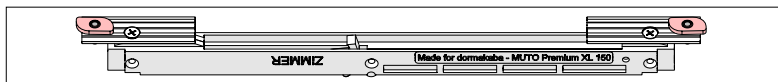


Fig. 30.11 LH DM unit inserted in track

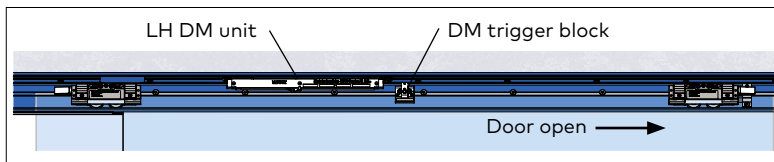


Fig. 30.12 DM unit hook positioned in trigger

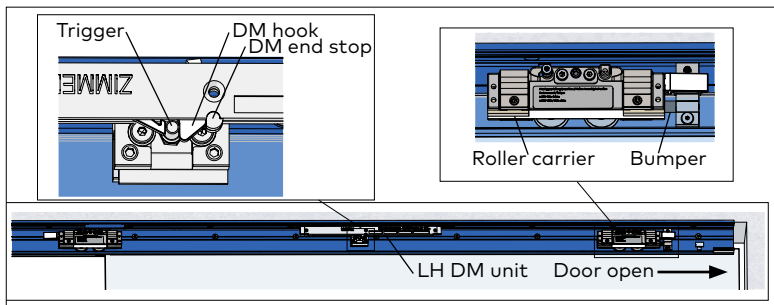


Fig. 30.13 DM unit end stop positioned 5 mm from DM hook

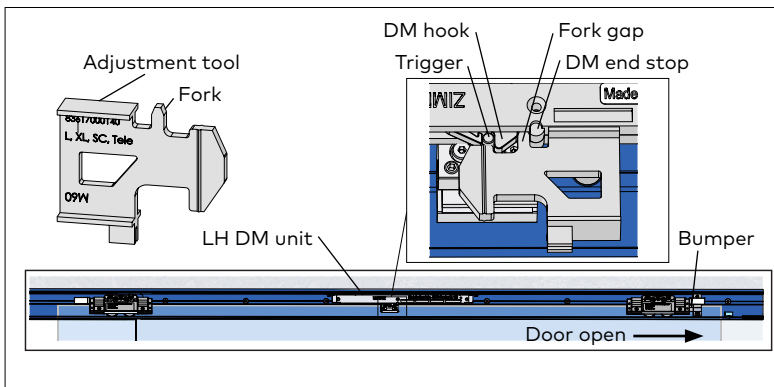
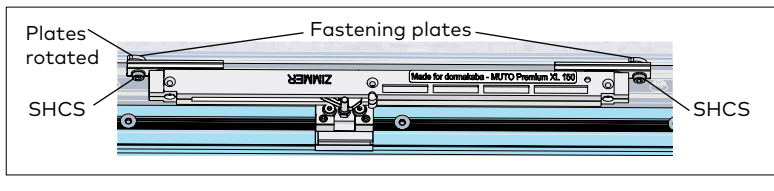


Fig. 30.14 LH DM unit fastening plates secured in track



**LH Dormotion -door open**

**4.14.6 Rotate DM fastening plates.**

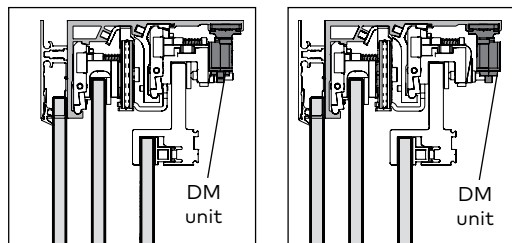
- Using 4 mm hex key, loosen fastening plate hex screws.
- Rotate fastening plates until they are parallel to the DM unit (Fig. 30.10)
- Snug hex screws.

**4.14.7 Move door to open position.**

- For installation of LH DM unit, door must be in the open position against bumper.

Fig. 30.15 DM unit aligned in track

Incorrect orientation      Correct orientation



**4.14.8 Align DM unit in track, engage DM hook in DM trigger.**

- Align DM unit in track (Fig. 30.15).
- Slide DM unit over the DM trigger block until the DM hook engages the DM trigger (Fig. 30.12)

**4.14.9 Use adjustment tool to set DM unit final position.**

- Place adjustment tool flat against DM unit with fork between DM hook and DM end stop (Fig. 30.13).
- Slide DM unit over until hook and DM end stop are against the fork. This sets 5 mm gap (Fork gap).
- **Trigger height:** Adjust so trigger sets on top of adjustment tool (Para. 4.15).

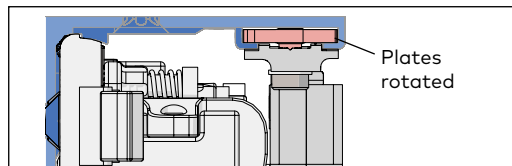
**4.14.10 Secure the DM unit in position.**

- NOTE: Insure door is fully open against bumper before performing this step.
- Using 4 mm hex key, tighten DM unit fastening plate socket head cap screws . Fastening plates must engage the track (Fig. 30.16).

**Torque**

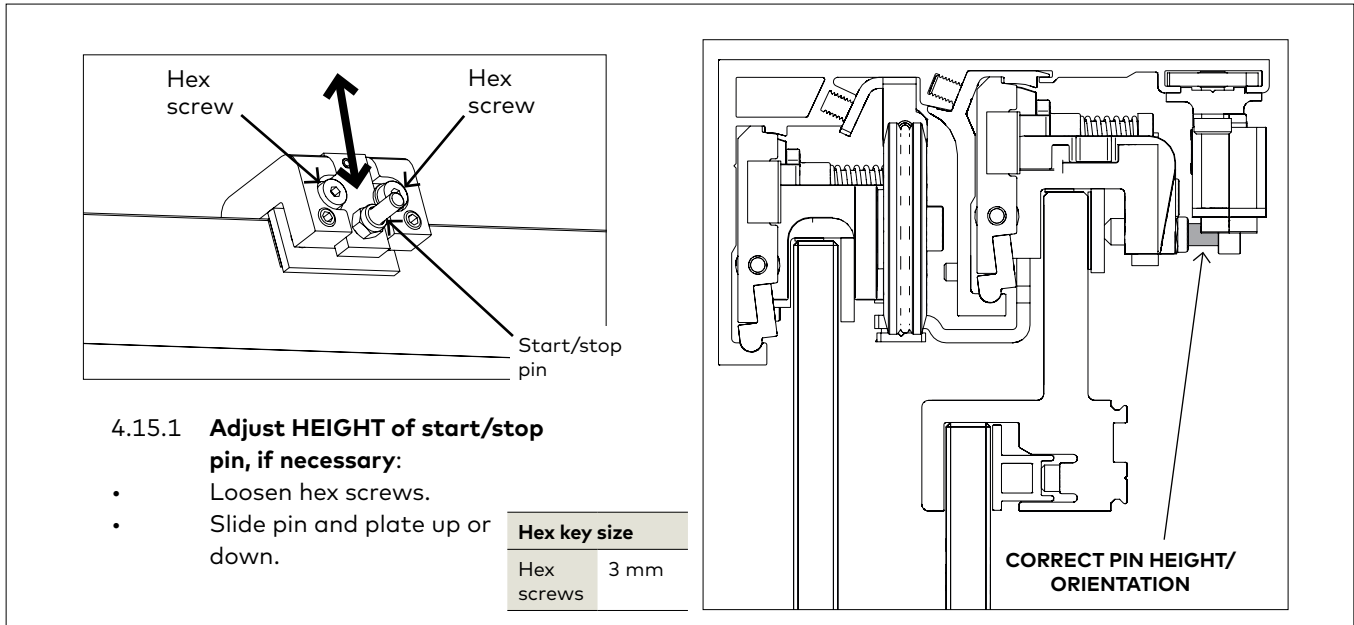
Socket head cap screws	3 ft lbs [4 Nm]
------------------------	--------------------

Fig. 30.16 LH DM unit installed in track



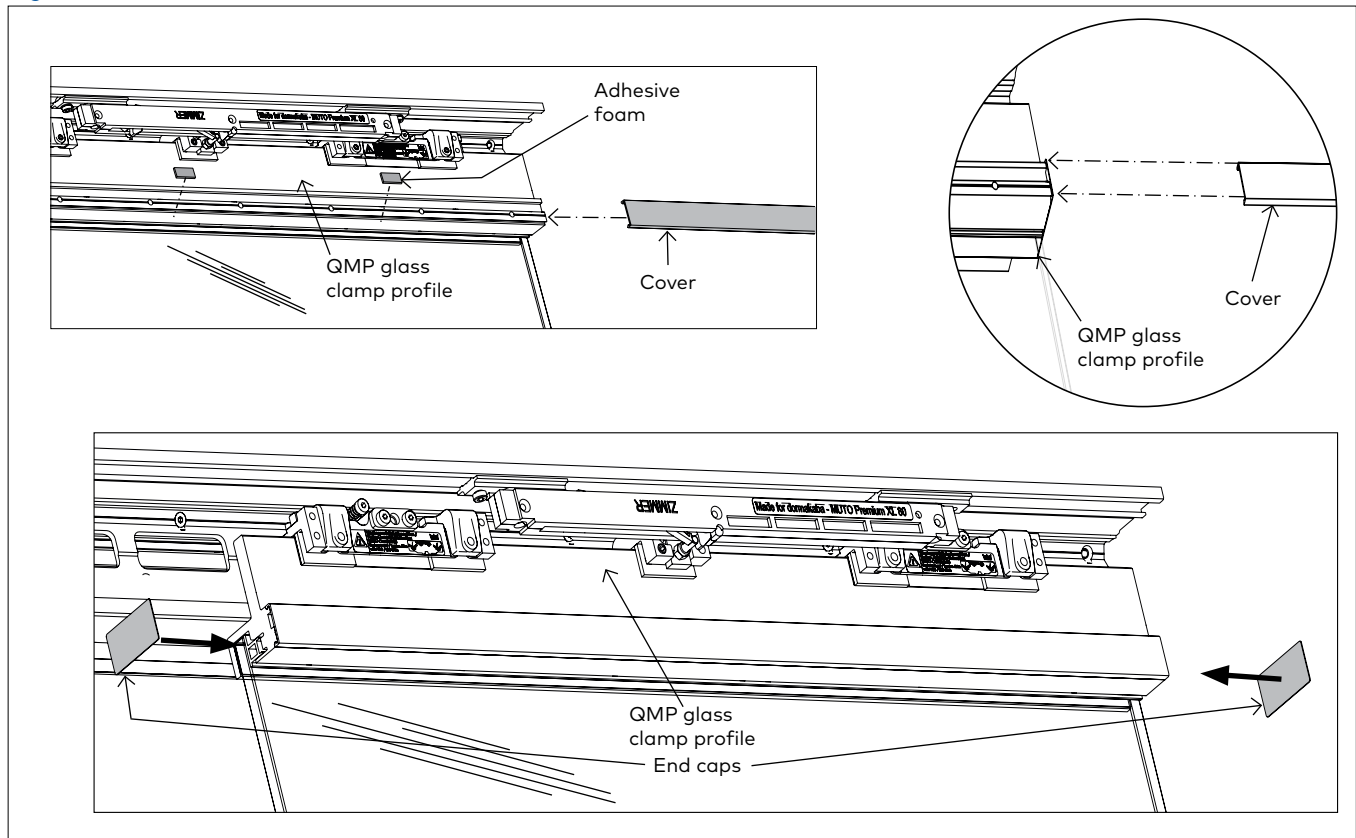
## 4.15 Adjust start/stop pin height (if necessary)

Fig 31



## 4.16 QMP track cover and end caps

Fig 32



4.16.1 Add adhesive foam pieces to QMP glass clamp profile, spaced accordingly.

4.16.2 Peel off adhesive.

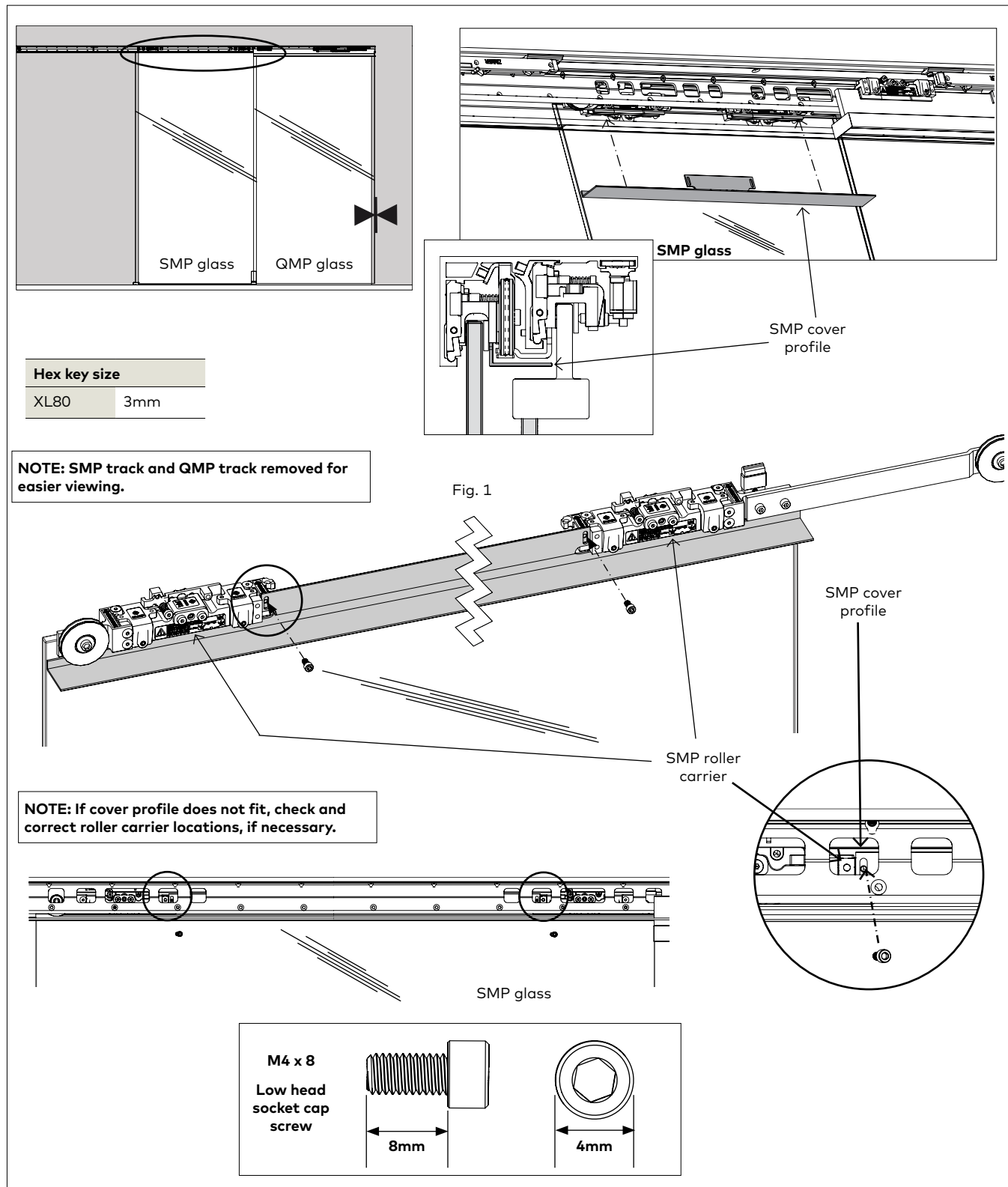
4.16.3 Slide cover over outside of profile.

4.16.4 Peel adhesive off end caps and press onto ends of profile.



## 4.17 SMP cover profile

Fig 33



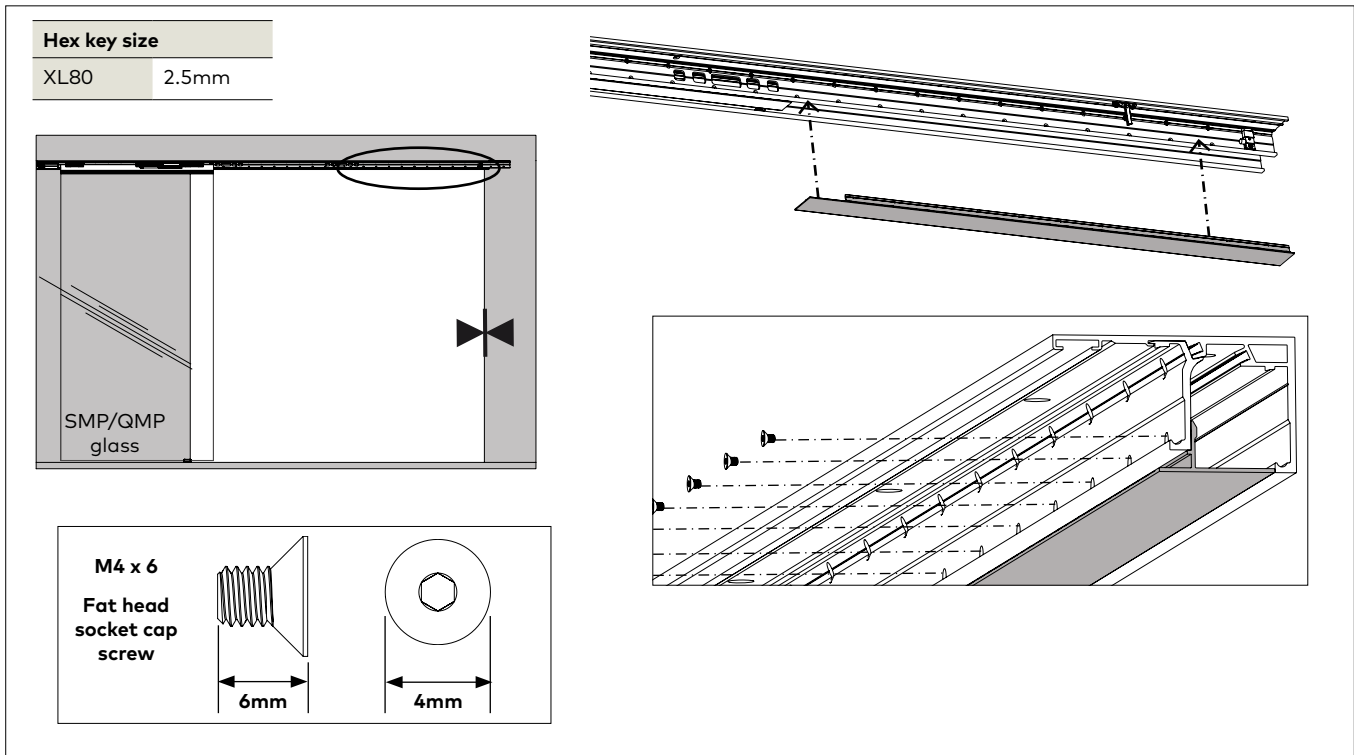
4.17.1 Slide doors fully **CLOSED**.

4.17.2 Slide SMP cover profile up and between the SMP roller carriers as shown in Fig. 1 above.

4.17.3 Secure with included fasteners.

## 4.18 Cover profile for passage

Fig 34

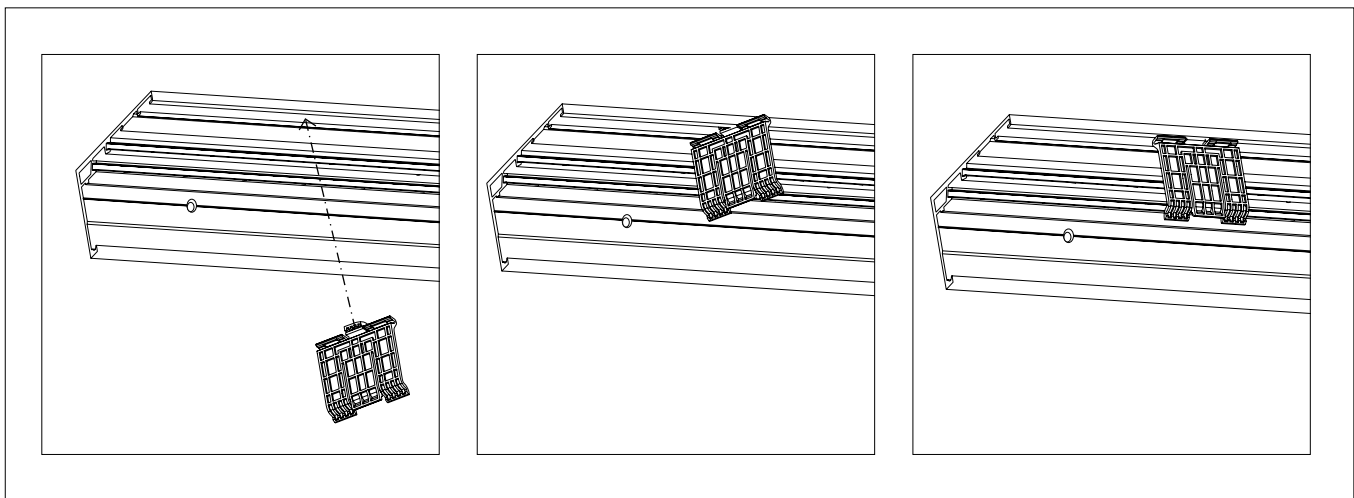


- 4.18.1 Slide both doors all the way **OPEN**.
- 4.18.2 Slide cover profile for passage up behind QMP track.

- 4.18.1 Secure cover profile for passage with all included fasteners at 2 ft lbs [2.5Nm].

## 4.19 Cover clips

Fig 35

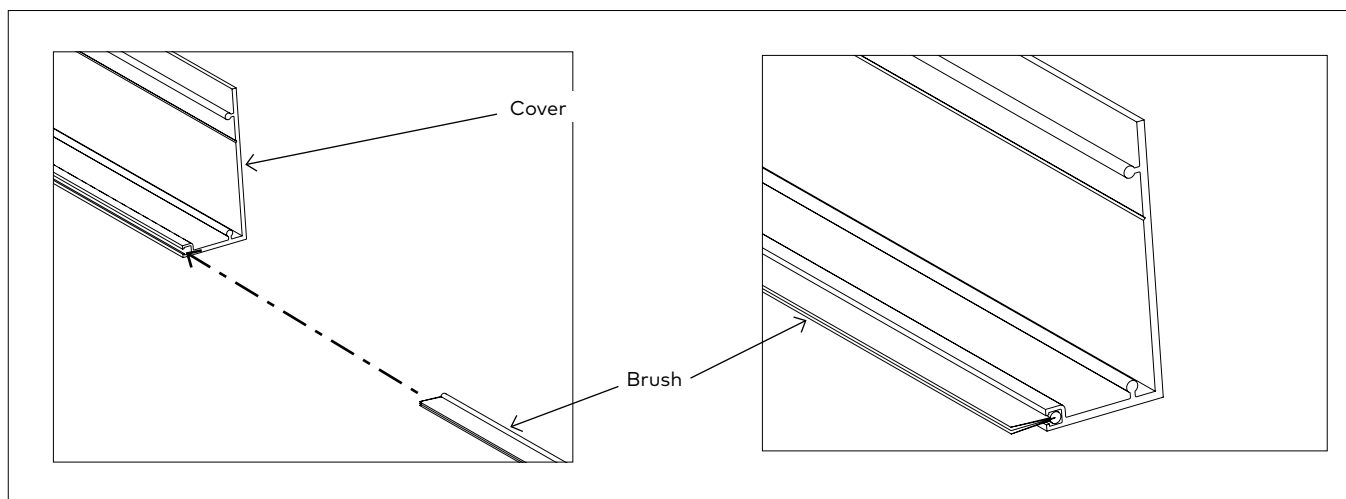


- 4.19.1 Insert cover clips into track (one clip per foot).

- 4.19.2 Insert perpendicular to track, and turn **CLOCKWISE** to snap into place.

## 4.20 Install brush profile

Fig 36

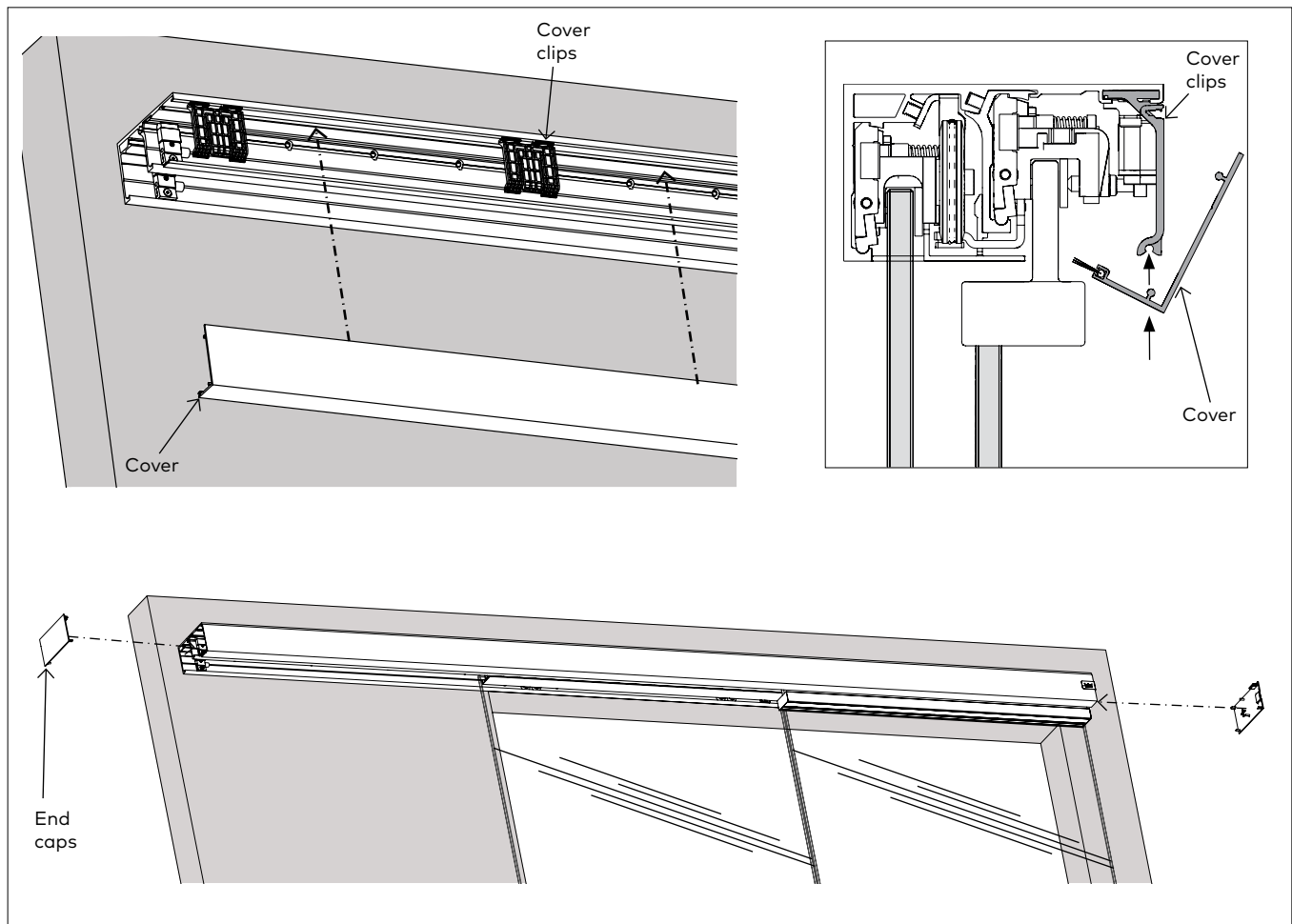


4.20.1 Match brush to cover length.

4.20.2 Slide brush into cover.

## 4.21 Secure system cover and system end caps

Fig 37



4.21.1 Secure cover to clips and snap into place.

**NOTE: Roll cover from the bottom upwards. Ensure the bottom of the cover is supported by the groove in the cover clip.**

4.21.2 Snap end caps onto track.

This page left intentionally blank.



**Scan for product details and downloads.**

Call 800-523-8483 or visit  
[glasstechserv.us@dormakaba.com](mailto:glasstechserv.us@dormakaba.com)  
for assistance or warranty information

**dormakaba USA, Inc.**  
**1 Dorma Drive, Drawer AC**  
**Reamstown, PA 17567**